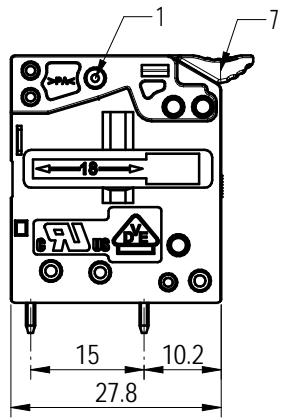
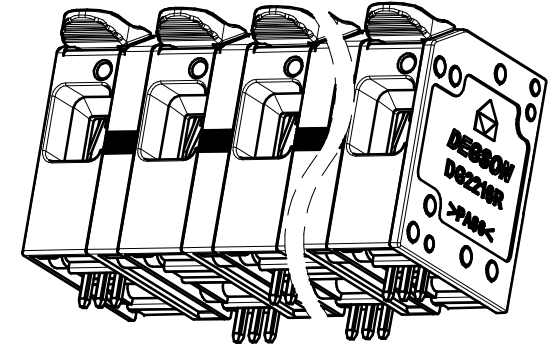
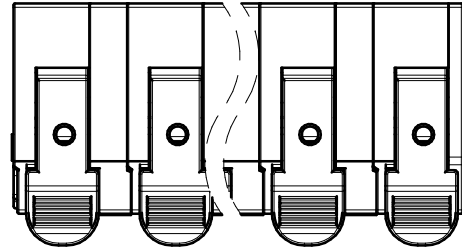
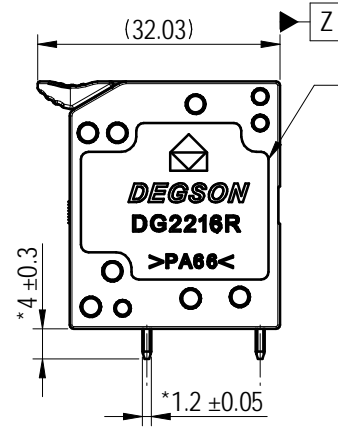
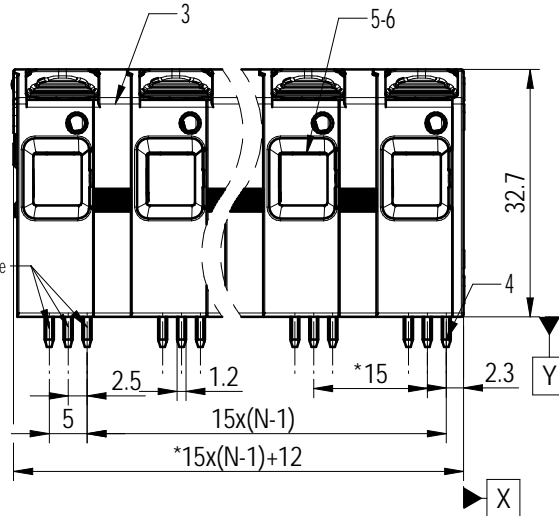


未注公差/General tolerances (mm)													0.1/10
0	>3	>6	>10	>18	>30	>50	>80	>120	>180	>250	>315	>400	
~3	~6	~10	~18	~30	~50	~80	~120	~180	~250	~315	~400	~500	±2'
±0.12	±0.18	±0.22	±0.26	±0.31	±0.37	±0.57	±0.80	±0.93	±1.05	±1.15	±1.60	±2.20	

未标注尺寸请参考3D文件



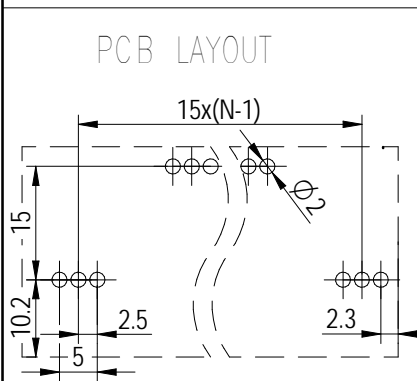
The first foot from the left side is front foot



Note:
The A&Z(H) in the name means:A(H) and Z(H)

ITEM	NAME OF PART	MATERIAL	NOTES
7	Lever	Nylon	UL94V-0
6	Slider	Stainless steel	/
5	Spring	Stainless steel	/
4	Pin header	Copper	Sn Plated
3	Clapboard	Nylon	UL94V-0
2	Cover	Nylon	UL94V-0
1	Housing	Nylon	UL94V-0

UL 标准/UL Standard:	B	C	D
额定电压/电流/Rated Voltage(V)/Current(A)	600/66	600/66	600/5
IEC 标准/IEC Standard:			
过压类别/Overvoltage Category/污染等级/Pollution Degree	III/3	III/2	II/2
额定电压/电流/Rated Voltage(V)/Current(A)	1000/76	1000/76	1000/76
额定脉冲电压(KV)/Rate Impulse Voltage(KV)	8	8	8
线径范围(硬线和软线)/Wire Range(rigid and flexible)(AWG)	0.2~16(25mm²Sol)/18-4AWG		
间距/Pitch(mm)/线数范围/Poles	15.0/N=02~12P		
剥线长度/Stripping length(mm)	18~20		
使用温度范围/Operating temperature(°C)	-40~+105		
符合RoHS环保要求/Conform to RoHS	Yes		



DEGSON

APPD: David 2022.12.06
 CHKD: David 2022.12.06
 DRFT: 曹心一 2022.12.05

MATERIAL:	SURFACE/COLOR:		
MAT NO./REV:	/ 00.01	MAT STATUS: 批量	
NAME DG2216R-15.0-DA-XXP-1Y-00A&Z(H)			
DRAWING NO. 200077886	TYPE CUSTOMER DRAWING	DRAWING STATUS 已发布	SCALE SHEET 1:1 1/1

01	增加VDE认证标志	曹心一	2022.12.05
REV	ECN	DESCRIPTION	DRFT DATE

Transfer or duplication of this document as well as the utilization or communication of its contents are prohibited unless explicit authorization is granted. Violations will be liable for compensation. All rights reserved for patent. 未经授权复制或传播本文件内容，或未经许可擅自使用本文件内容，均属于侵权行为，公司将依法追究。本公司保留对涉及发明、实用新型或发明专利的所有权利。