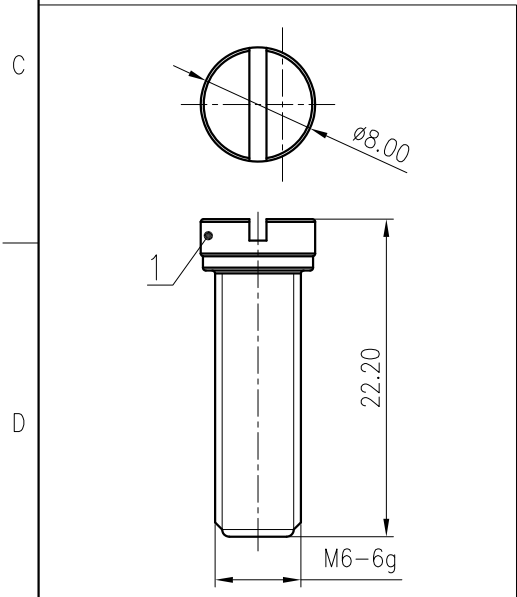
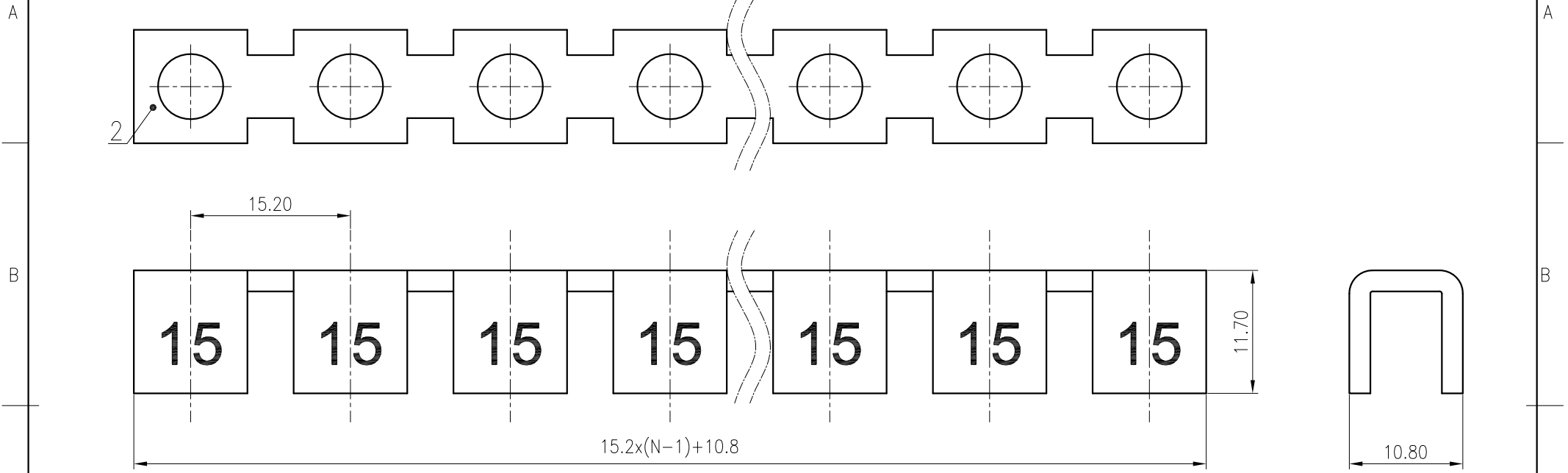


未注公差/General tolerances(mm)													0.1/10
0	>3	>6	>10	>18	>30	>50	>80	>120	>180	>250	>315	>400	
~3	~6	~10	~18	~30	~50	~80	~120	~180	~250	~315	~400	~500	
±0.12	±0.18	±0.22	±0.26	±0.31	±0.37	±0.57	±0.80	±0.93	±1.05	±1.15	±1.60	±2.20	±2.50



2	Current carrier	Copper	Sn Plated
1	Screws	Copper alloy	Ni Plated
ITEM	PART NAME	MATERIAL	NOTES
螺丝扭矩/Torque Tightening(N·m/Lb.in)		M6.2.5/22.15	
间距/Pitch(mm)/线数范围/Poles		15.2/N=02P~10P	
使用温度范围/Operating temperature(°C)		-40~+105	
载流体与螺丝分开包装于同一内盒中/Current carrier and Screws should be packed individually,which must be put in the same box			
符合RoHS环保要求/Conform to RoHS		Yes	

MATERIAL: /		SURFACE: /	
MAT NO.: /		宁波高松电子有限公司 NINGBO DEGSON ELECTRICAL CO., LTD	
STATUS: /			
APPD: Li GL 2020.06.04		NAME: FBIXX-15	
CHKD: Mao J 2020.06.04		DRAWING NO.: FBIXX-15-C01	
DRFT: Chen K 2020.06.04		REV	T2
⊕	SIZE: A4	TYPE: CUSTOMER DRAWING	SCALE: 2:1 SHEET 1/1

REV	ECN	DESCRIPTION	DRFT	DATE