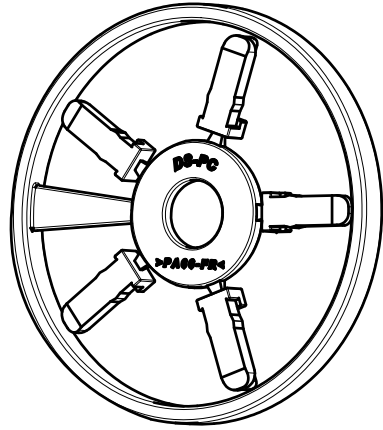
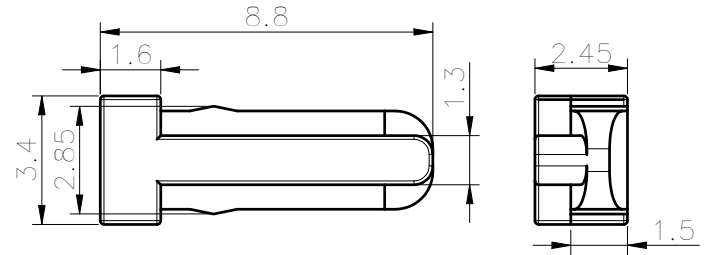
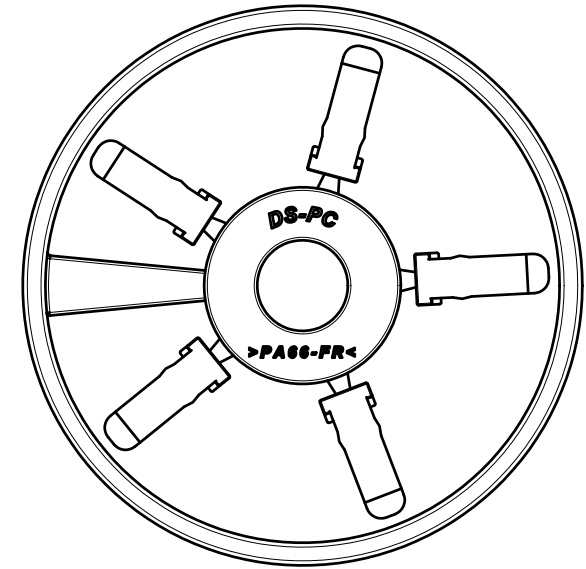
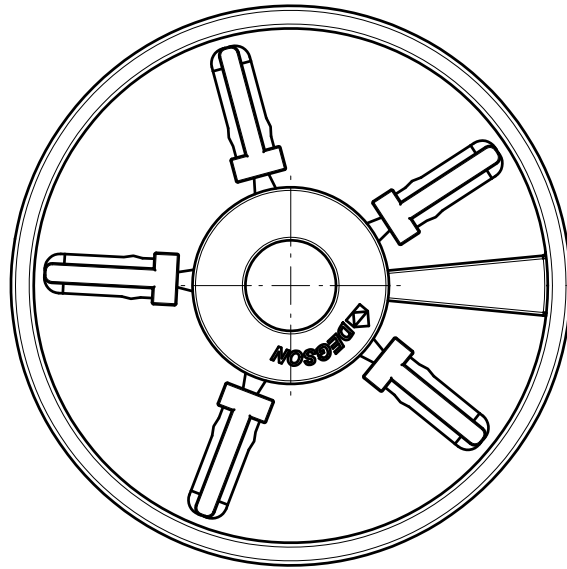
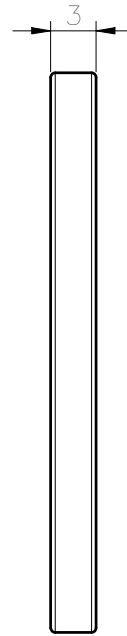
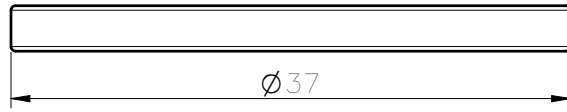


未注公差/General tolerances(mm)													0.1/10
0	>3	>6	>10	>18	>30	>50	>80	>120	>180	>250	>315	>400	
~3	~6	~10	~18	~30	~50	~80	~120	~180	~250	~315	~400	~500	~500
±0.12	±0.18	±0.22	±0.26	±0.31	±0.37	±0.57	±0.80	±0.93	±1.05	±1.15	±1.60	±2.20	±2.50
线数范围/Poles											05P		
阻燃等级/Flame class											UL94V-0		
使用温度范围/Operating temperature(°C)											-40~+105		
符合 RoHS 环保要求/Conform to RoHS											Yes		



			MATERIAL: /		SURFACE: /	
			MAT NO./REV: /		MAT STATUS: /	
APPD:	Li GL	2021.11.23	NAME			
CHKD:	Zhang YH	2021.11.22	DS-PC-05P-1Y-00A(H)			
DRFT:	Zheng QG	2021.11.22				
DRAWING NO.	/		TYPE	CUSTOMER DRAWING	DRAWING STATUS	SCALE
			/		/	2:1
			/		SHEET 1/1	

00	/	/	Zheng QG	2021.11.22
REV	ECN	DESCRIPTION	DRFT	DATE

Transfer or duplication of this document as well as the utilization or communication of its contents are prohibited unless written authorization is granted. Customers will be liable for compensation. All rights reserved for patent, utility model or designs registrations. 非经书面明确授权, 否则禁止转让、复制、利用、交加本文件的内容, 侵犯者将负赔偿责任。本公司保留对涉及发明、实用新型和外观设计的所有权利。