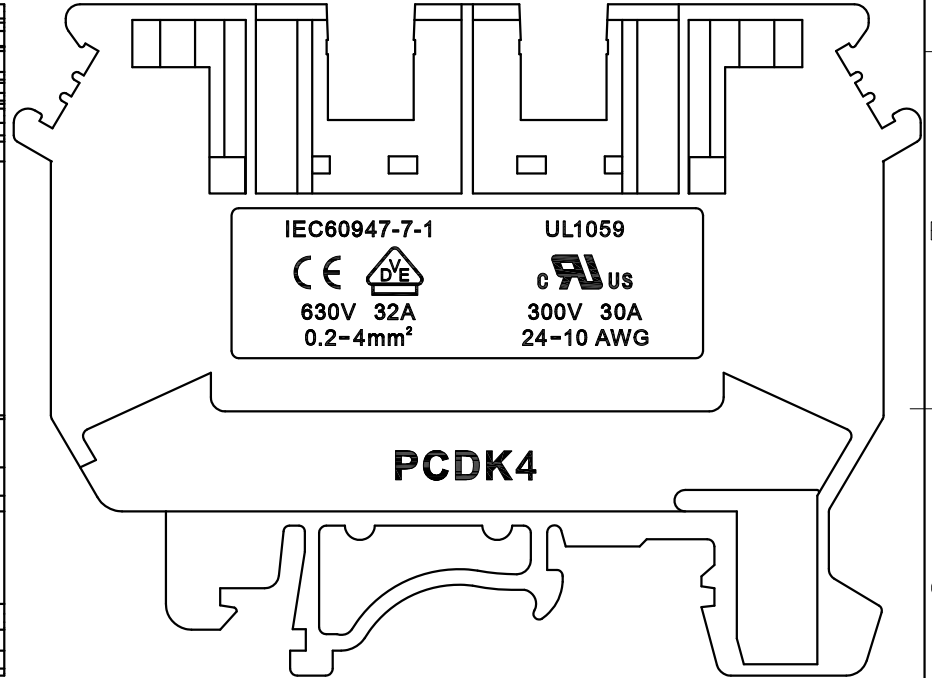
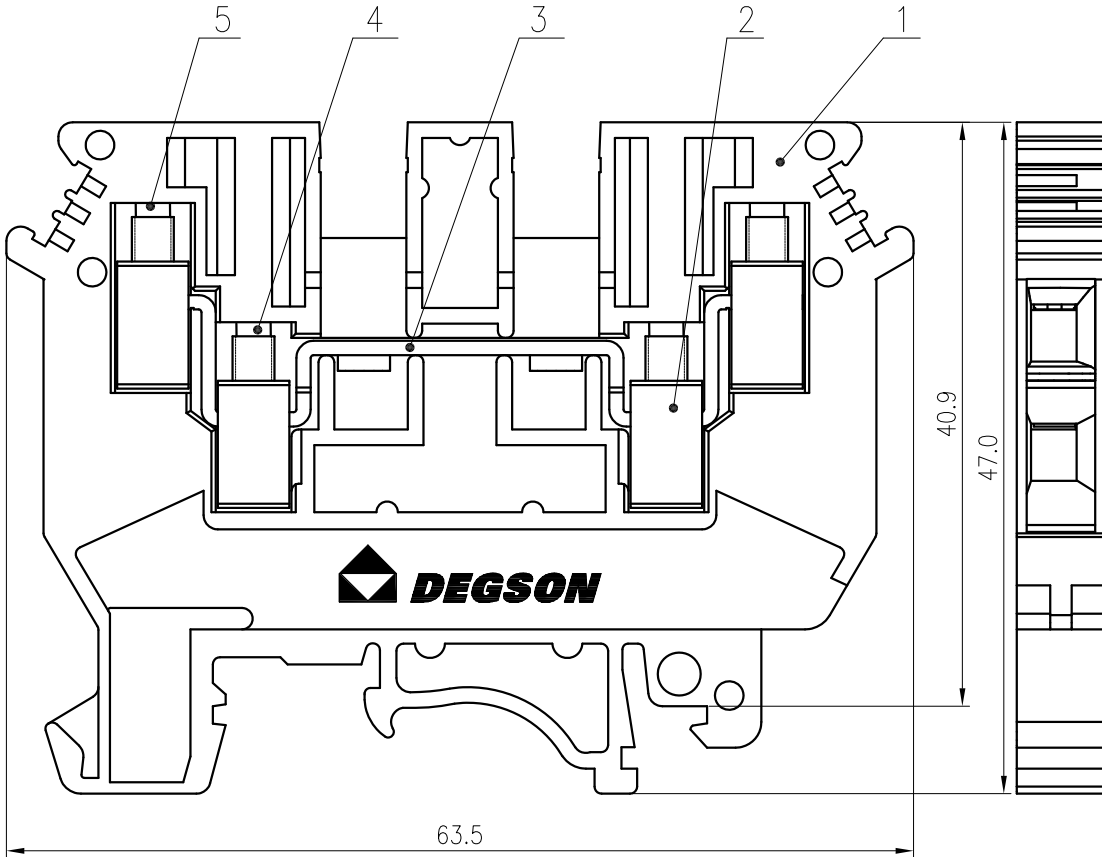


未注公差/General tolerances(mm)													0.1/10 ±2'
0 ~ 3	>3 ~ 6	>6 ~ 10	>10 ~ 18	>18 ~ 30	>30 ~ 50	>50 ~ 80	>80 ~ 120	>120 ~ 180	>180 ~ 250	>250 ~ 315	>315 ~ 400	>400 ~ 500	
±0.12	±0.18	±0.22	±0.26	±0.31	±0.37	±0.57	±0.80	±0.93	±1.05	±1.15	±1.60	±2.20	±2.50

A

A



B

B

C

C

JL 标准/UL Standard:	B	C	D
额定电压/电流/Rated Voltage(V)/Current(A)	300/30	/	300/10
EC 标准/IEC Standard:			
过压类别/Overvoltage Category/污染等级/Pollution Degree	III/3	/	/
额定电压/电流/Rated Voltage(V)/Current(A)	630/32	/	/
额定脉冲电压(KV)/Rate Impulse Voltage(KV)	6.0	/	/
螺丝扭矩/Torque Tightening(N·m/Lb.in)	M3, 0.5/4.43		
线径范围(硬线和软线)/Wire Range(rigid and flexible)(mm²/AWG)	0.2~4.0/24~10		
间距/Pitch(mm)	6.20		
剥线长度/Stripping length(mm)	7-8		
使用温度范围/Operating temperature(°C)	-40~+105		
符合RoHS环保要求/Conform to RoHS	Yes		

ITEM	NAME OF PART	MATERIAL	NOTES
5	Screw2	Copper alloy	M3/Ni Plated
4	Screw1	Copper alloy	M3/Ni Plated
3	Current Carrier	Copper	Sn Plated
2	Cage	Copper alloy	M3/Ni Plated
1	Housing	PA66	UL94V-0

MATERIAL:	/	SURFACE:	/
MAT NO.:	/	宁波高松电子有限公司 NINGBO DEGSON ELECTRICAL CO., LTD	
STATUS:	/		
APPD:	LiGL 2020.04.01	NAME: PCDK4-01P-1Y-00A(H)	
CHKD:	MaEK 2020.04.01	DRAWING NO.: PCDK4-C01	
DRFT:	ZYH 2008.01.11	REV	TO
SIZE: A4 $\leftarrow \frac{\text{mm}}{\text{inch}} \rightarrow$		TYPE: CUSTOMER DRAWING	SCALE: 2:1 SHEET 1/1

D

D

REV	ECN	DESCRIPTION	DRFT	DATE