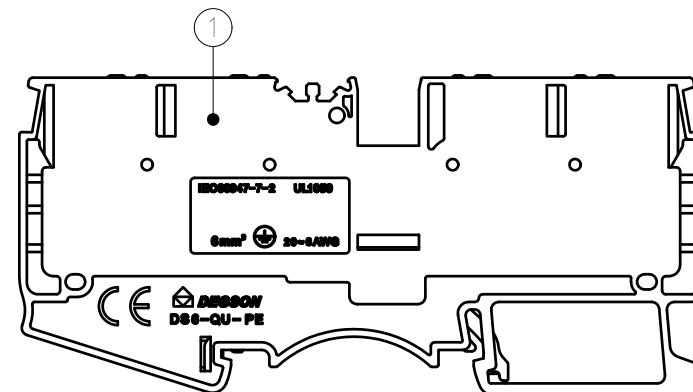
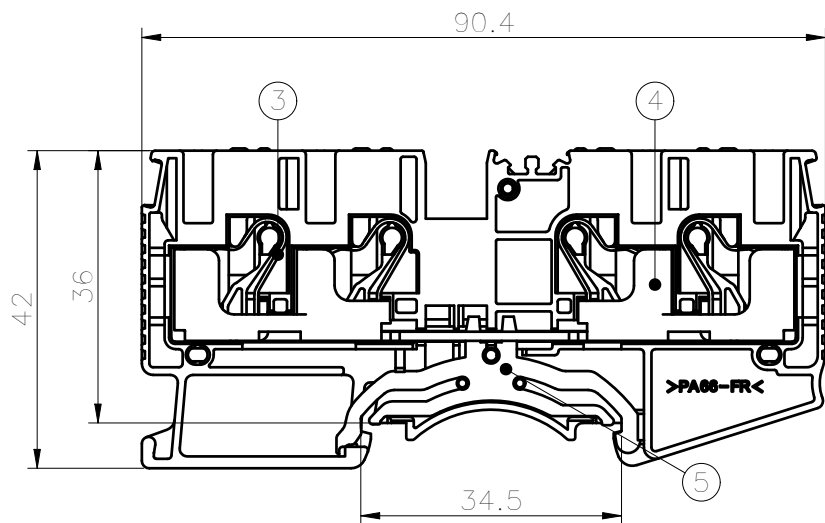


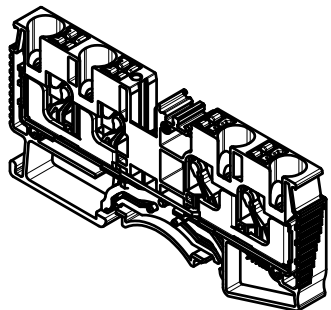


| 未注公差/General tolerances(mm) |       |       |       |       |       |       |       |       |       |       |       |       | D<br>0.1/10 |
|-----------------------------|-------|-------|-------|-------|-------|-------|-------|-------|-------|-------|-------|-------|-------------|
| 0                           | >3    | >6    | >10   | >18   | >30   | >50   | >80   | >120  | >180  | >250  | >315  | >400  |             |
| ~3                          | ~6    | ~10   | ~18   | ~30   | ~50   | ~80   | ~120  | ~180  | ~250  | ~315  | ~400  | ~500  | >500        |
| ±0.12                       | ±0.18 | ±0.22 | ±0.26 | ±0.31 | ±0.37 | ±0.57 | ±0.80 | ±0.93 | ±1.05 | ±1.15 | ±1.60 | ±2.20 | ±2.50       |

|  |                     |       |      |
|--|---------------------|-------|------|
| UL 标准/UL Standard:   | B                   | C     | D    |
| 额定电压/电流/Rated Voltage(V)/Current(A)                              | /                   | /     | /    |
| IEC 标准/IEC Standard:   |                     |       |      |
| 过压类别/Overvoltage Category/污染等级/Pollution Degree                  | III/3               | III/2 | II/2 |
| 额定电压/电流/Rated Voltage(V)/Current(A)                              | /                   | /     | /    |
| 额定脉冲电压(KV)/Rate Impulse Voltage(KV)                              | 8                   | /     | /    |
| 线径范围(硬线和软线)/Wire Range(rigid and flexible)(AWG/mm <sup>2</sup> ) | 20~8 / 0.5~6(10sol) |       |      |
| 间距/Pitch(mm)/线数范围/Poles  | 8.2/N=01P           |       |      |
| 剥线长度/Stripping length(mm)  | 12                  |       |      |
| 使用温度范围/Operating temperature(°C)                                 | -40~+105            |       |      |
| 符合 RoHS 环保要求/Conform to RoHS                                     | Yes                 |       |      |
| 标准颜色编号/Standard color number: PANTONE / RAL                      | /                   |       |      |



|      |                 |                 |           |
|------|-----------------|-----------------|-----------|
| 5    | Grounding       | Copper alloy    | Sn Plated |
| 4    | Current carrier | Copper          | Sn Plated |
| 3    | Spring          | Stainless steel | /         |
| 2    | Button          | PA66+GF%        | UL94V-0   |
| 1    | Housing         | PA66            | UL94V-0   |
| ITEM | NAME OF PART    | MATERIAL        | NOTES     |



|     |     |             |       |            |
|-----|-----|-------------|-------|------------|
| 00  | /   | /           | Mi Sh | 2021.11.18 |
| REV | ECN | DESCRIPTION | DRFT  | DATE       |

|             |            |                         |                       |                  |           |
|-------------|------------|-------------------------|-----------------------|------------------|-----------|
|             |            | MATERIAL: /             | SURFACE: /            |                  |           |
|             |            | MAT NO./REV: /          | MAT STATUS: /         |                  |           |
| APPD: Li GL | 2021.11.18 | NAME                    |                       |                  |           |
| CHKD: Ma EK | 2021.11.18 | DS6-QU-PE-01P-1C-00A(H) |                       |                  |           |
| DRFT: Mi Sh | 2021.11.18 | DRAWING NO. /           | TYPE CUSTOMER DRAWING | DRAWING STATUS / | SHEET 1/1 |
| A4          |            | SCALE 1:1               |                       |                  |           |

Transfer or duplication of this document as well as the utilization or communication of its contents are prohibited without express consent. All rights reserved for patent, utility model or designs registrations. 非经书面明确授权, 否则禁止转让、复制、利用、交加本文件内容, 侵犯者将负法律责任。本公司保留对涉及发明、实用新型和外观设计的所有权利。