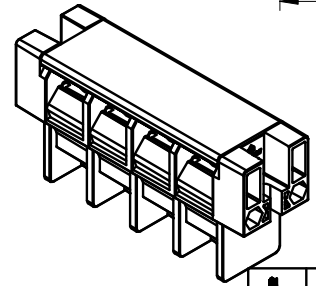
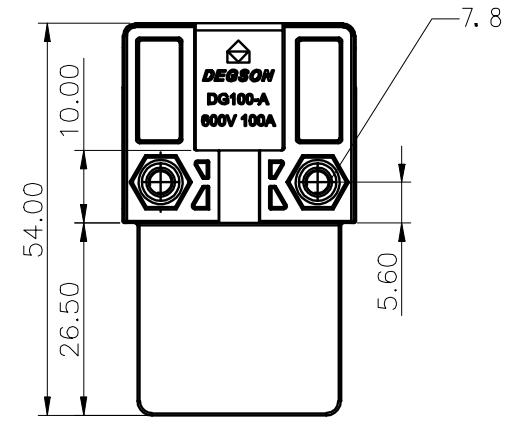
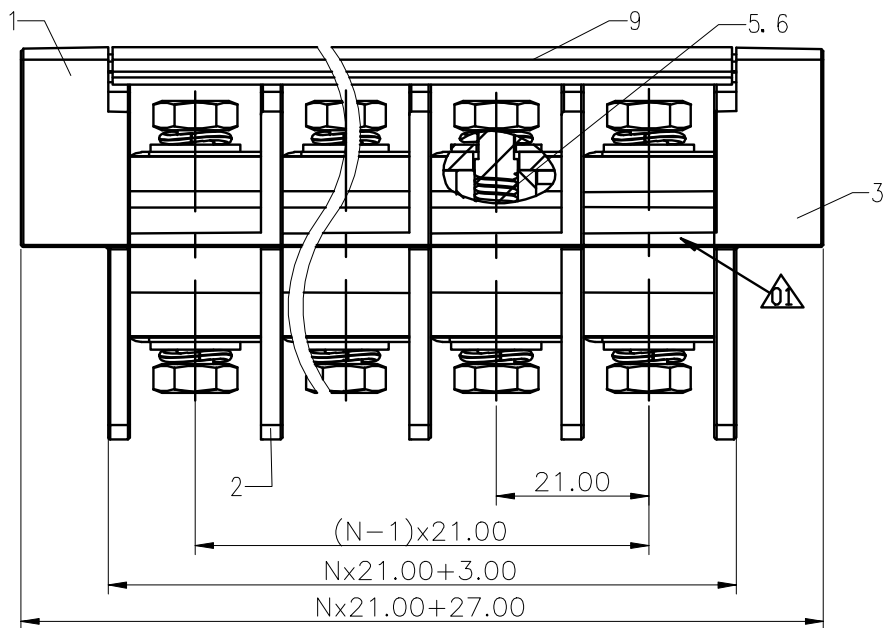
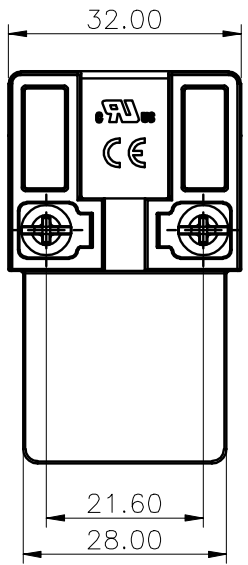
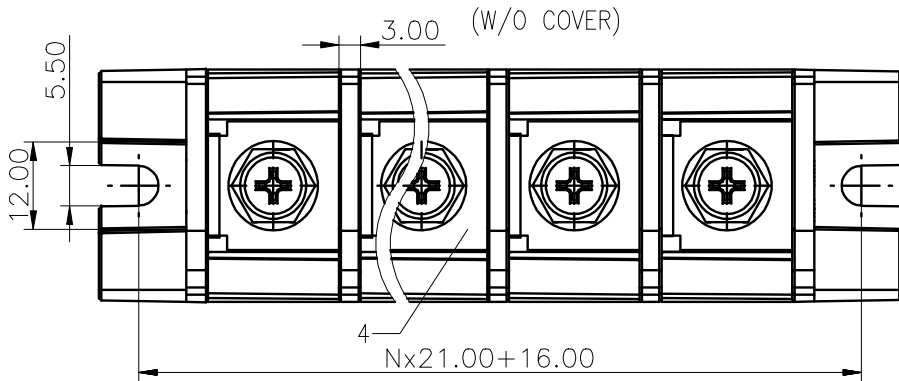


公差表/General tolerances(mm)													0.1/10 ±2	
0 ~ 3	>3 ~ 6	>6 ~ 10	>10 ~ 18	>18 ~ 30	>30 ~ 50	>50 ~ 80	>80 ~ 120	>120 ~ 180	>180 ~ 250	>250 ~ 315	>315 ~ 400	>400 ~ 500		>500
±0.12	±0.18	±0.22	±0.28	±0.31	±0.37	±0.57	±0.80	±0.93	±1.05	±1.15	±1.60	±2.20	±2.50	

UL 标准/UL Standards:	B	C	D
额定电压/电压/Rated Voltage(V)/Current(A)	800/100	800/100	800/5
IEC 标准/IEC Standards:			
污染等级/Contamination Category/污染等级/ Pollution Degree	III/3	III/2	II/2
额定电压/电压/Rated Voltage(V)/Current(A)	1000/100	1000/100	1000/100
额定绝缘电压(KV)/Rate Insulate Voltage(KV)	8	8	8
拧紧扭矩/Torque Tightening(N·m/Lb·in)	M6: 8.0/44.27 M4: 1.2/10.83		
线径范围(硬线和软线)/Wire Range(rigid and flexible)(AWG/mm ²)	10~2 / 16~35		
间距/Pitch(mm)/线数范围/ Poles	21.00/N=01~10P		
剥线长度/Stripping length(mm)	12~13		
使用温度范围/Operating temperature(°C)	-40~120		
符合RoHS 环保要求/Conform to RoHS	Yes		



ITEM	NAME OF PART	MATERIAL	NOTES
9	Cover	PC	UL94V-2
8	Nut2	Steel	Zn plated/M4
7	Screw2	Steel	Zn plated/M4
6	Nut1	Steel	Ni plated/M6
5	Screw1	Steel	Ni plated/M6
4	Current_carrier	Copper	Ni plated
3	Right cover	PBT	UL94V-0
2	Housing	PBT	UL94V-0
1	Left cover	PBT	UL94V-0

			MATERIAL: PBT+15%GF		SURFACE/COLOR:		
APPD: 董永成 20220714			MAT NO./REV: / /00		MAT STATUS: 标准		
CHKD: 曹明 20220714			NAME				
DRFT: 曹明 20220714			DC100-A-XP-1Y-00AH				
DRAWING NO. 200054446		TYPE CUSTOMER DRAWING		DRAWING STATUS 标准		SCALE 1:1	
SHEET 1/1							

REV	ECN	产品描述/DESCRIPTION	制图/DRFT	日期/DATE
				20220714

Transfer or duplication of this document as well as the utilization or communication of its contents are prohibited unless explicit authorization is granted. Violations will be liable for compensation. All rights reserved for patent, utility model or design registrations. 未经授权，不得复制或传播本文件内容，否则将承担法律责任。保留所有专利、实用新型或外观设计注册权利。