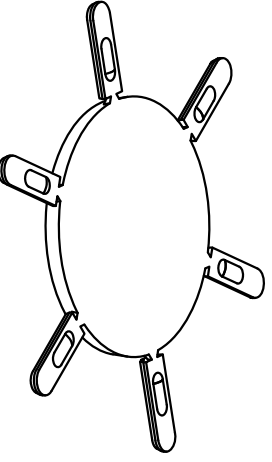
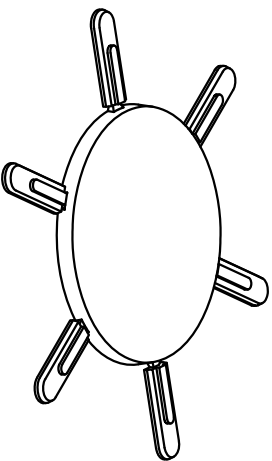
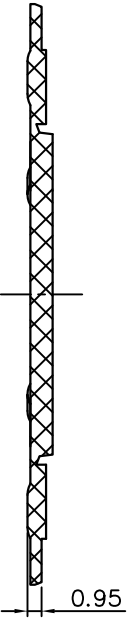
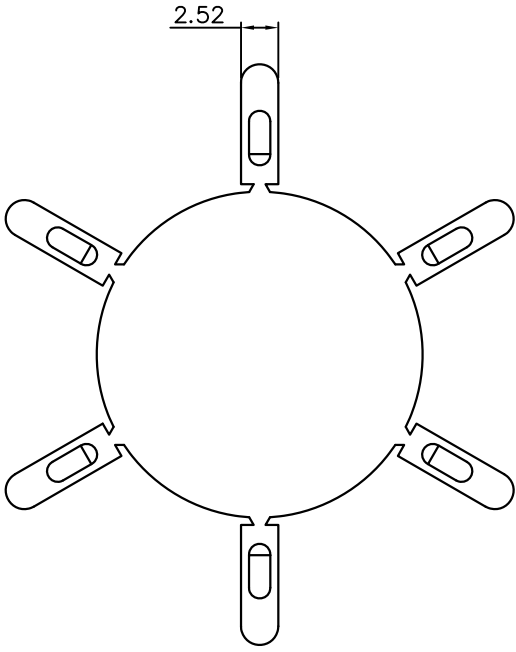
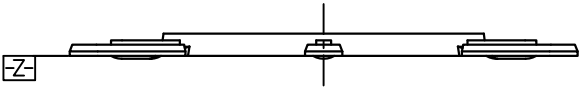
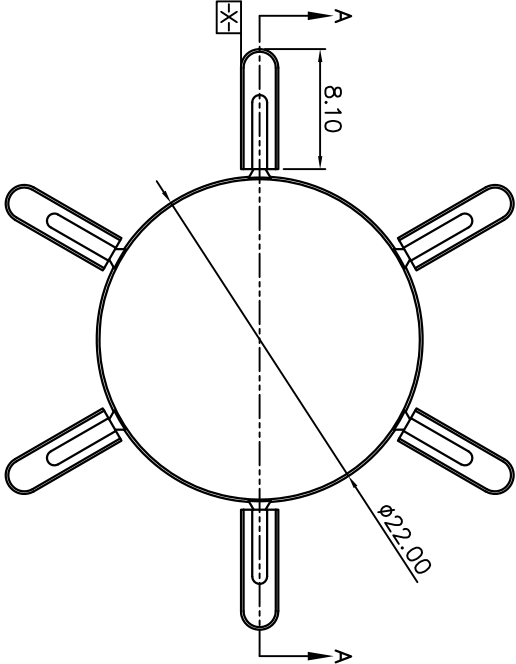
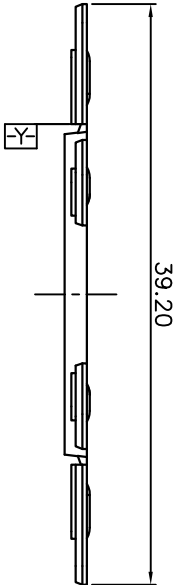


REVISION RECORD				
REV	ECN	DESCRIPTION	DRFT	DATE



ITEM	PITCH RANGE IN MM	NOMINAL DIMENSION RANGE IN MM	NOMINAL DIMENSION RANGE						
			OVER	OVER	OVER	OVER	OVER	OVER	
1	$\pm 0.10$	$\pm 0.15$	$\pm 0.25$	$\pm 0.20$	$\pm 0.30$	$\pm 0.50$	$\pm 0.70$	$\pm 1.00$	0.05/10
TO	6	10	10	30	60	100	150	150	◇
6	TO	TO	TO	TO	TO	TO	TO	TO	

Notes:  
 1、Poles: 6P;  
 2、The burr must control within 0.05mm;  
 3、Cosmetic surfaces couldn't showed Deburring, Flash, Melting mark, shrinkage, etc on the parts;  
 4、Undimensioned Tolerances:  
 注: 产品需与客户需求插针插头匹配

DETACHED LISTS																						
<table border="1"> <tr> <td>MM</td> <td>INCH</td> </tr> <tr> <td>.X ±</td> <td>.X ±</td> </tr> <tr> <td>.XX ±</td> <td>.XX ±</td> </tr> <tr> <td>.XXX ±</td> <td>.XXX ±</td> </tr> </table>	MM	INCH	.X ±	.X ±	.XX ±	.XX ±	.XXX ±	.XXX ±	<table border="1"> <tr> <td>MM</td> <td>INCH</td> </tr> <tr> <td>.X ±</td> <td>.X ±</td> </tr> <tr> <td>.XX ±</td> <td>.XX ±</td> </tr> <tr> <td>.XXX ±</td> <td>.XXX ±</td> </tr> </table>	MM	INCH	.X ±	.X ±	.XX ±	.XX ±	.XXX ±	.XXX ±					
MM	INCH																					
.X ±	.X ±																					
.XX ±	.XX ±																					
.XXX ±	.XXX ±																					
MM	INCH																					
.X ±	.X ±																					
.XX ±	.XX ±																					
.XXX ±	.XXX ±																					
ANGLES ± 1°																						
THIRD ANGLE PROJECTION																						
APPR:	CHKD:																					
DRFT: L Z T 11 / 29 / 12"																						
<table border="1"> <tr> <td>NAME:</td> <td>DEGSON</td> <td>宁波高正电子有限公司</td> </tr> <tr> <td>FINISH:</td> <td>DEGSON ELECTRONICS CO., LTD</td> <td></td> </tr> <tr> <td>PART NO.:</td> <td>15EDG-PWI-06P-16-00A(H)</td> <td></td> </tr> <tr> <td>TITLE:</td> <td>ASSEMBLY DRAWING</td> <td></td> </tr> <tr> <td>DRAWING NO.:</td> <td>15EDG-PWI-E01</td> <td></td> </tr> <tr> <td>DO NOT SCALE DRAWING</td> <td>SCALE</td> <td>1:1</td> </tr> <tr> <td></td> <td>SHEET</td> <td>1/1</td> </tr> </table>		NAME:	DEGSON	宁波高正电子有限公司	FINISH:	DEGSON ELECTRONICS CO., LTD		PART NO.:	15EDG-PWI-06P-16-00A(H)		TITLE:	ASSEMBLY DRAWING		DRAWING NO.:	15EDG-PWI-E01		DO NOT SCALE DRAWING	SCALE	1:1		SHEET	1/1
NAME:	DEGSON	宁波高正电子有限公司																				
FINISH:	DEGSON ELECTRONICS CO., LTD																					
PART NO.:	15EDG-PWI-06P-16-00A(H)																					
TITLE:	ASSEMBLY DRAWING																					
DRAWING NO.:	15EDG-PWI-E01																					
DO NOT SCALE DRAWING	SCALE	1:1																				
	SHEET	1/1																				