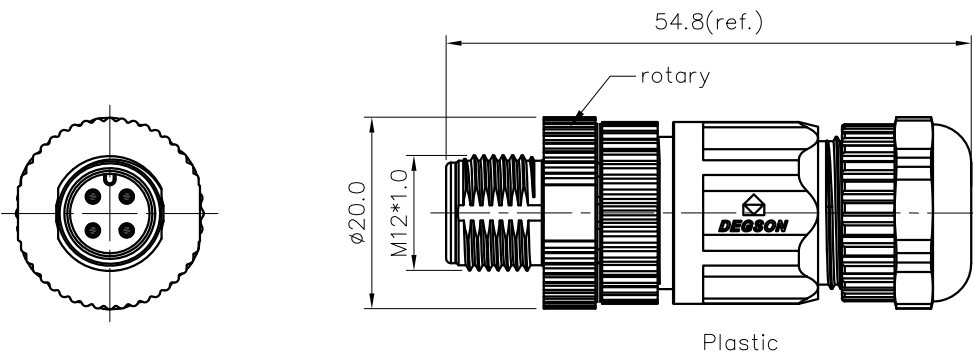


REVISION RECORD

REV	ECN	DESCRIPTION	DRFT	DATE
-----	-----	-------------	------	------



PA-M12X-XXP-MM-SL7001-00A(H)
 Coding: A,B,D — Pin number: 03,04,05, 06,08,10,12

NOTES:

- Rated voltage/current : 3pin A: 250V / 4A
 4pin A: 250V / 4A
 5pin A: 60V / 4A
 6pin A: 30V / 2A
 8pin A: 30V / 2A
 10pin A: 30V / 1.5A
 12pin A: 30V / 1.5A
 5pin B: 60V / 4A
 4pin D: 250V / 4A
- Withstanding voltage : 3,4pin A: AC1500V/1Min
 5pin A: AC1120V/1Min
 6,8,10,12pin A: AC500V/1Min
 5pin B: AC1120V/1Min
 4pin D: AC1500V/1Min
- Levels of protection: IP67
- Wire range :
 3pin A: 24~20AWG/0.25~0.52mm²
 4pin A: 24~20AWG/0.25~0.52mm²
 5pin A: 24~20AWG/0.25~0.52mm²
 6pin A: 24~22AWG/0.25~0.34mm²
 8pin A: 24~22AWG/0.25~0.34mm²
 10pin A: 26~22AWG/0.14~0.34mm²
 12pin A: 26~22AWG/0.14~0.34mm²
 5pin B: 24~20AWG/0.25~0.52mm²
 4pin D: 24~20AWG/0.25~0.52mm²
- Cable OD: 4~8mm
- Wire connection mode: soldering
- Operating temperature: -25°C~+105°C
- RoHS Compliance
- Tolerance : ±0.5mm

10pin A Coding	12pin A Coding	5pin B Coding	4pin D Coding	
Pin Assignments Front View	Pin Assignments Front View	Pin Assignments Front View	Pin Assignments Front View	
3pin A Coding	4pin A Coding	5pin A Coding	6pin A Coding	8pin A Coding
Pin Assignments Front View	Pin Assignments Front View	Pin Assignments Front View	Pin Assignments Front View	Pin Assignments Front View

DETACHED LISTS	PART NO.: PAM12XXXPMMSL700100AH	宁波高松电子有限公司 NINGBO DEGSON ELECTRICAL CO., LTD		
	APPD:	NAME: PA-M12X-XXP-MM-SL7001-00A(H)		
	CHKD:	DRFT: SQ 2019.05.17		
	THIRD ANGLE PROJECTION		TITLE: CUSTOMER DRAWING	REV: D0-1
		DRAWING NO.: XXXXXXXX-XX-CXX	SHEET: 1/1	
			DO NOT SCALE DRAWING	SCALE: 1:1