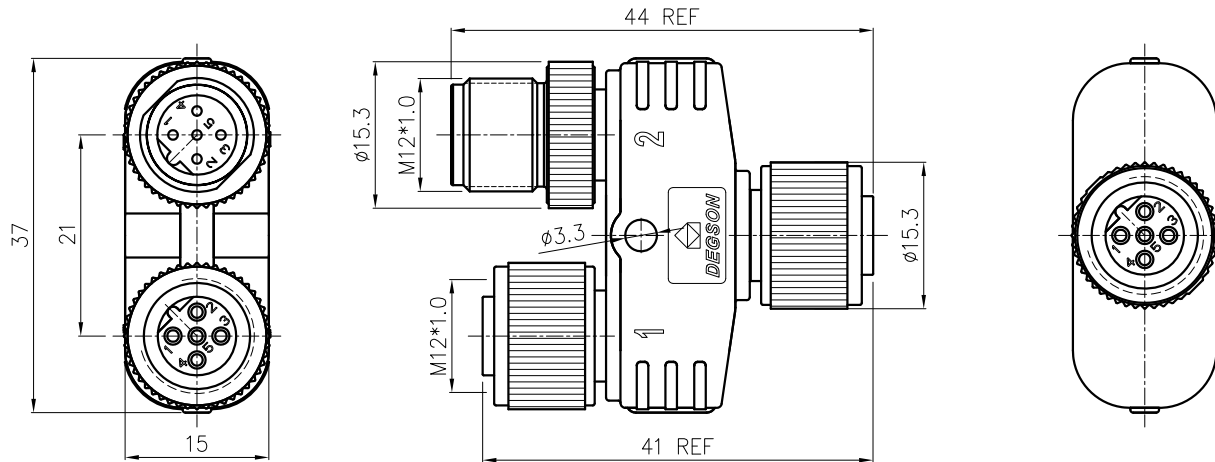
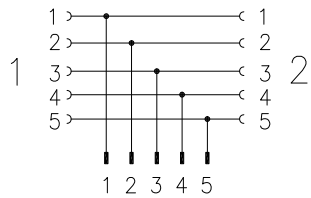


REVISION RECORD

REV	ECN	DESCRIPTION	DRFT	DATE
-----	-----	-------------	------	------



Circuit diagram:

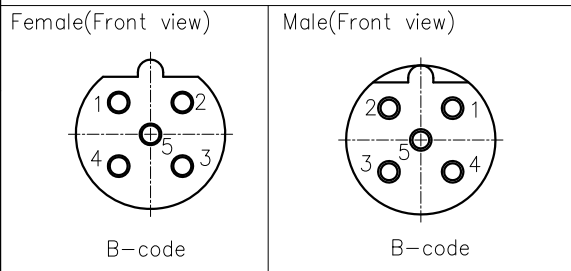


NOTES:

- 1.RoHS Compliance,
- 2.The Code direction is shown as diagram,
- 3.Housing material: PU(Color: black),
- 4.Contact body material: PU(Color: black),
- 5.Contact material: Copper alloy,(plating: gold)
- 6.0 Ring material: Silicone,(Color: green)
- 7.Screw material: Zinc alloy (plating: Ni),

Technique parameter

Rated voltage	60V
Rated current	4A
Insulation resistance	$\geq 100M\Omega$
Withstanding voltage	800V AC
Operating temperature	-25°C~+85°C
Levels of protection	IP67
Cable OD	/



Dimensional tolerance (mm)				
$\leq 30$	30 ~ 60	60 ~ 100	100 ~ 150	$>150$
$\pm 0.20$	$\pm 0.30$	$\pm 0.50$	$\pm 0.70$	$\pm 1.00$

DETACHED LISTS	PART NO.: FYM12B05FM12B05FQ0100	宁波高松电子有限公司 NINGBO DEGSON ELECTRICAL CO., LTD		
	APPD:	NAME: FY-M12B-05F-M12B-05F-Q-0100		
	CHKD:	TITLE: ASSEMBLY DRAWING		
	DRFT: WYM 2019/05/23	DRAWING NO.: 20000786	REV	TO-1
THIRD ANGLE PROJECTION		DO NOT SCALE DRAWING	SHEET	1/1
		SCALE	1:1	