

REVISION RECORD				
REV	ECN	DESCRIPTION	DRFT	DATE

Technical characteristics:

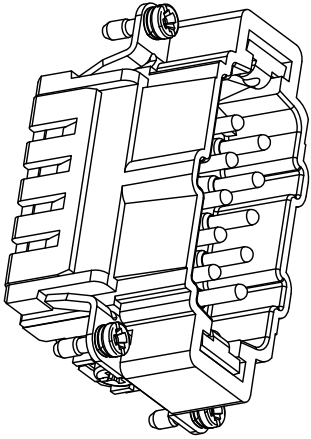
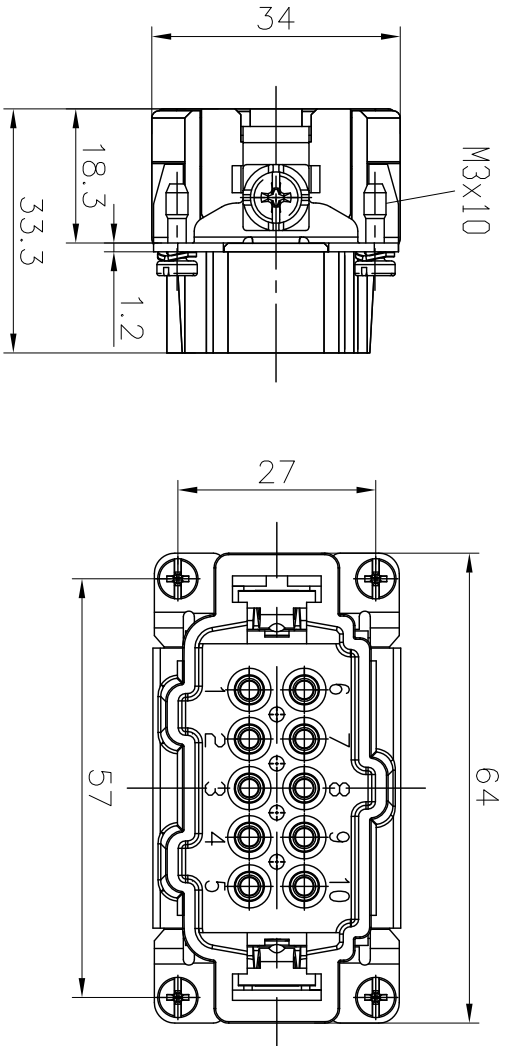
Specifications  
 DIN EN 60 664-1  
 DIN EN 61 984

Inserts

- 01. Number of contacts : 10+PE
- 02. Rated Current : 16A
- 03. Rated Voltage : 500V
- 04. Pollution degree : 3
- 05. Rated impulse voltage : 6kv<sup>10</sup>
- 06. Insulation resistance :  $\geq 10\Omega$
- 07. Material: Polycarbonate
- 08. Rated voltage acc. to UL/CSA: 600V
- 09. Limiting temperatures : -40℃~+125℃
- 10. Flammability acc. to UL94: V0
- 11. Mechanical working life (mating cycles) :  $\geq 500$

Contacts

- 01. Material: Copper alloy
- 02. Surface: hard-silver plated
- 03. Contact resistance :  $\leq 3m\Omega$
- 04. Terminal : Cage-clamp
- 05. Wire gauge : 0.2-2.5mm<sup>2</sup> (AWG 26-14)
- 06. Stripping length : 7-9mm
- 07. Rohs Compliance



DETACHED LISTS			
PART NO.:	/	NAME:	DE-010-MS
APPD:			
CHKD:			
DRFT:	Mr. Yang 2016.08.08	TITLE:	CUSTOMER DRAWING
		DRAWING NO.:	/
		DO NOT SCALE DRAWING	SCALE
			1:1

**DEGSON** 宁波高松电子有限公司  
 NINGBO DEGSON ELECTRICAL CO., LTD

A 8  
 B 7  
 C 6  
 D 5  
 E 4  
 F 3  
 G 2  
 H 1