

REVISION RECORD				
REV	ECN	DESCRIPTION	DRFT	DATE

Technical characteristics:

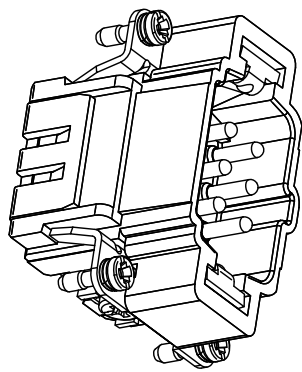
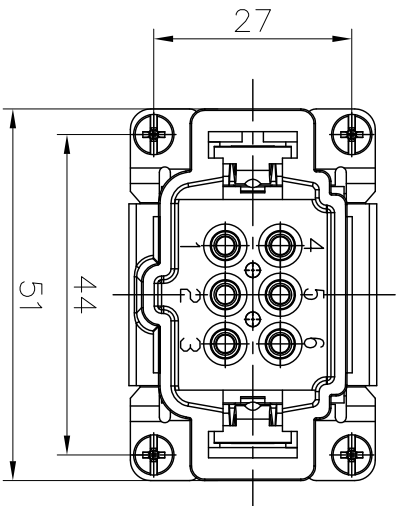
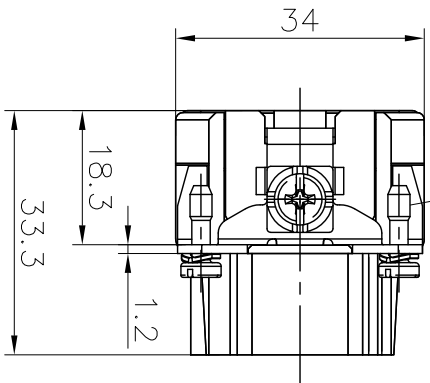
Specifications
 DIN EN 60 664-1
 DIN EN 61 984

Inserts

- 01. Number of contacts : 6+PE
- 02. Rated Current : 16A
- 03. Rated Voltage : 500V
- 04. Pollution degree : 3
- 05. Rated impulse voltage : 6kv¹⁰
- 06. Insulation resistance : $\geq 10\Omega$
- 07. Material: Polycarbonate
- 08. Colour: RAL 7032 (Light grey)
- 09. Rated voltage acc. to UL/CSA: 600V
- 10. Limiting temperatures : -40°C~+125°C
- 11. Flammability acc. to UL94: V0
- 12. Mechanical working life (mating cycles) : ≥ 500

Contacts

- 01. Material: Copper alloy
- 02. Surface: hard-silver plated
- 03. Contact resistance : $\leq 3m\Omega$
- 04. Terminal : Cage-clamp
- 05. Wire gauge : 0.14-2.5mm² (AWG 26-14)
- 06. Stripping length : 7-9mm
- 07. Rohns Compliance



DETACHED LISTS			
PART NO.:	/	NAME:	DEGSON ® NINGBO DEGSON ELECTRICAL CO., LTD 宁波高松电子有限公司
APPD:		DE-006-MS	
CHKD:		TITLE: CUSTOMER DRAWING	REV
DRFT:	Mr. Yang 2016.08.08	DRAWING NO.:	DO
			1/1
		DO NOT SCALE DRAWING	SCALE
			1:1



THIRD ANGLE PROJECTION

A 8 7 6 5 4 3 2 1