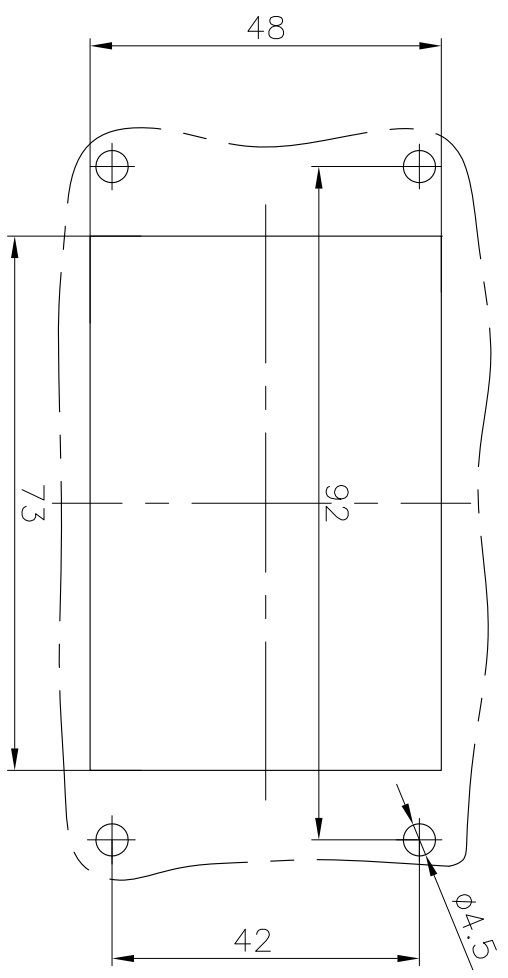
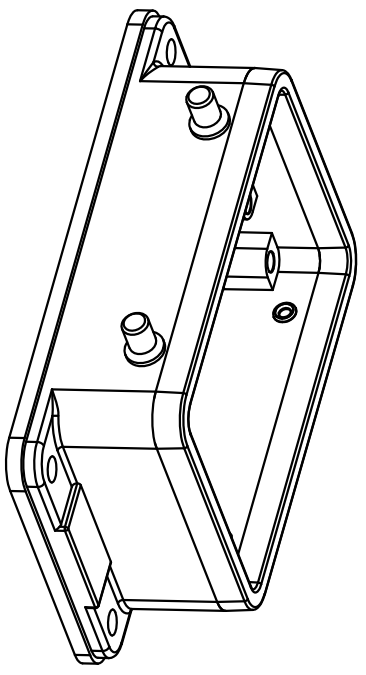
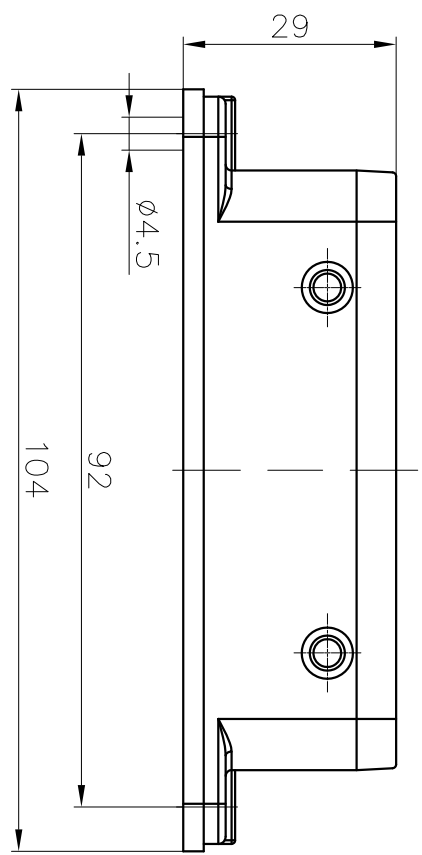
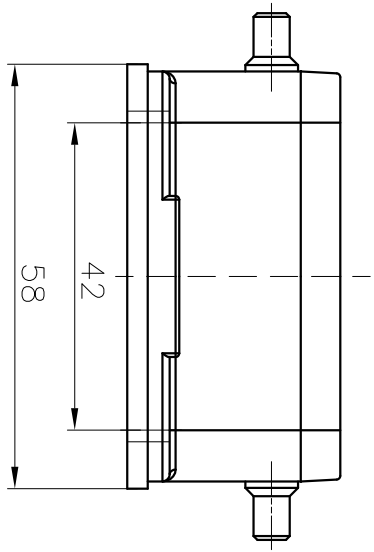


REVISION RECORD				
REV	ECN	DESCRIPTION	DRFT	DATE



Panel cut out

Housings Feature

- 01. Material: Aluminium die-cast
- 02. Surface: Powder-coated
- 03. Color: grey (RAL 7037)
- 04. Limiting temperatures: $-40^{\circ}\text{C} \sim +125^{\circ}\text{C}$
- 05. Sealing: NBR
- 06. Flammability acc to UL94: V0
- 07. Degree of protection acc. to EN60529 for coupled connector: IP65
- 08. Rohs Compliance

DETACHED LISTS			
PART NO.:	DEGSON [®]	NAME:	D32A-BK-4g
APPR:			NINGBO DEGSON ELECTRICAL CO., LTD 宁波高松电子有限公司
CHKD:		TITLE:	CUSTOMER DRAWING
DRFT: Mr. yong	2016.08.15	DRAWING NO.:	
		THIRD ANGLE PROJECTION	DO NOT SCALE DRAWING
		SCALE	1:1