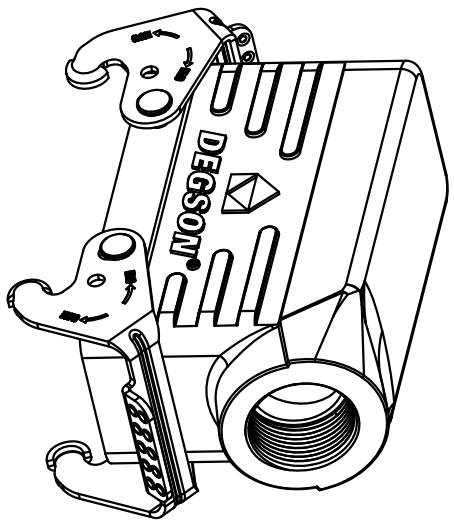
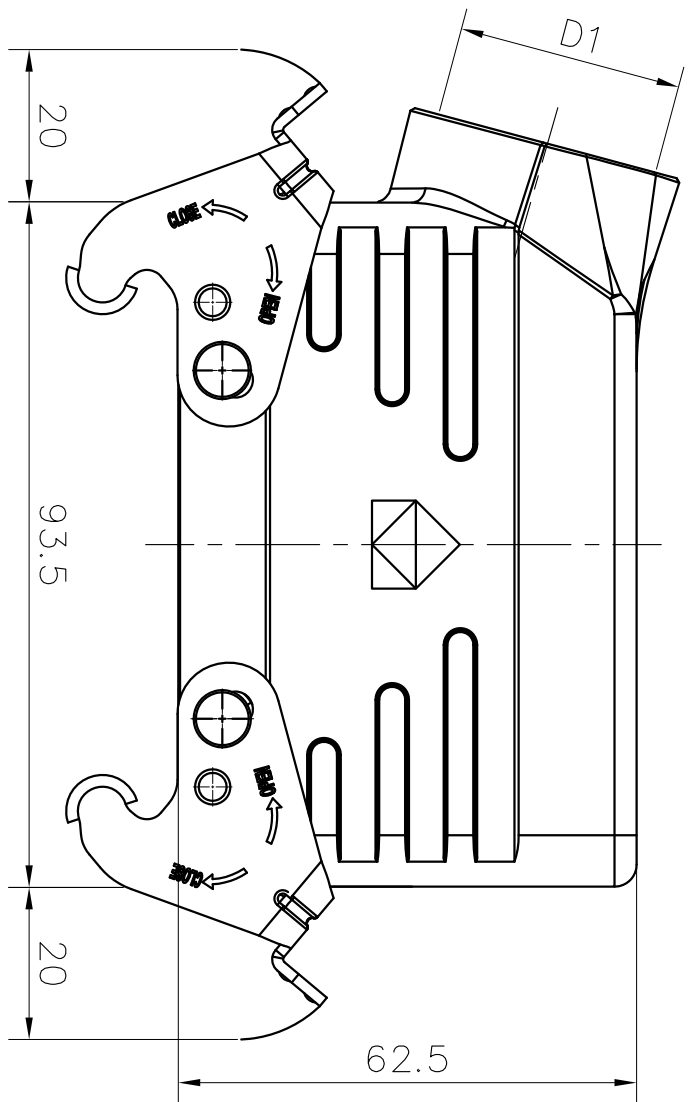
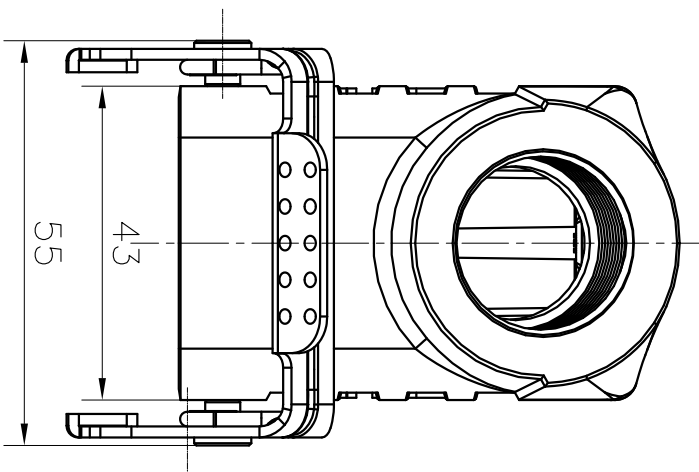


TYPE	Thread(D1)	Selection
D16B-SF-2L-M25	M25	
D16B-SF-2L-M32	M32	
D16B-SF-2L-PG21	PG21	

REVISION RECORD				
REV	ECN	DESCRIPTION	DRFT	DATE



- Hoods Feature**
1. Material: aluminium die-cast
  2. Surface: Powder-coated
  3. Color: grey (RAL 7037)
  4. Material: Metal (Lever)
  5. Limiting temperatures: -40°C ~ +125°C
  6. Flammability acc to UL94: V0
  7. Degree of protection acc.to EN60529 for coupled connector : IP65
  8. Rohs compliance

DETACHED LISTS			
PART NO.:	/	NAME:	<b>DEGSON</b> NINGBO DEGSON ELECTRICAL CO., LTD 宁波高松电子有限公司
APPR:		TITLE:	D16B-SE-2L-M/PG CUSTOMER DRAWING
CHKD:		DRAWING NO.:	
DRFT:	Mr. yong 2017/06/28	REV	DO-1
		SHEET	1/1
		SCALE	1:1

A 8 7 6 5 4 3 2 1