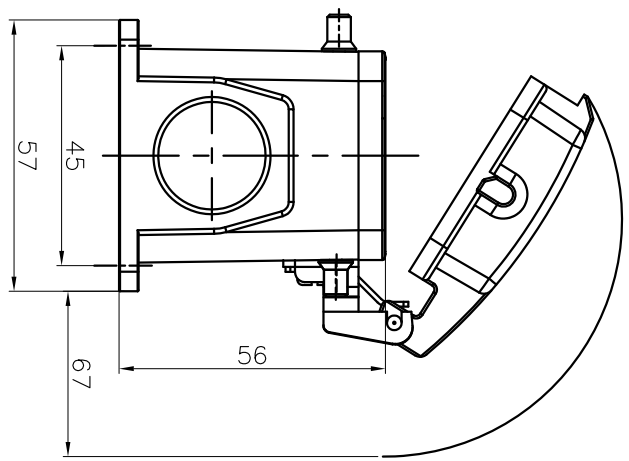
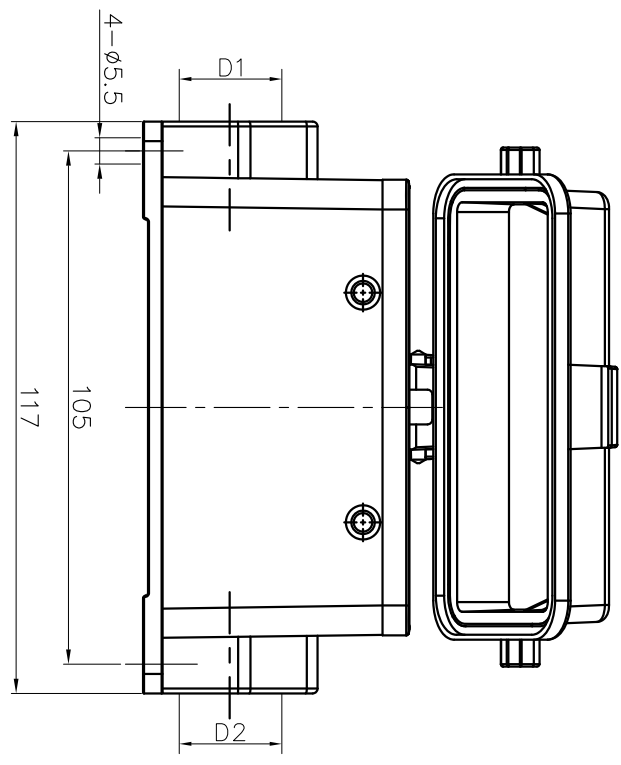
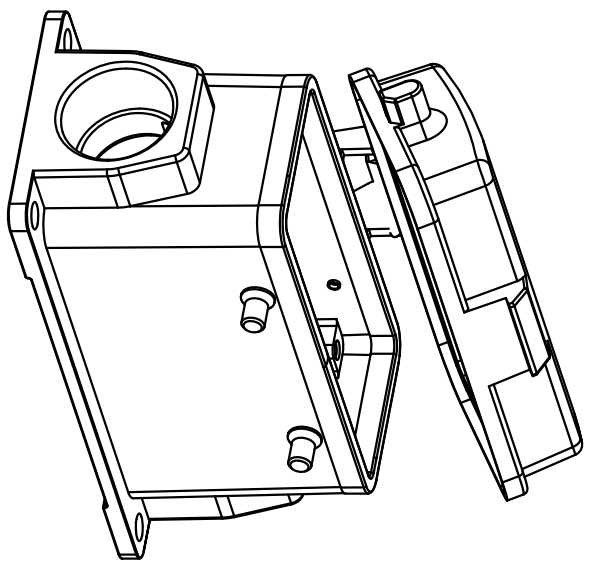


| TYPE                | Thread |      | Selection |
|---------------------|--------|------|-----------|
|                     | D1     | D2   |           |
| D16B-SF-4g-CV-M25   | M25    | —    |           |
| D16B-SF-4g-CV-2M25  | M25    | M25  |           |
| D16B-SF-4g-CV-PG21  | PG21   | —    |           |
| D16B-SF-4g-CV-2PG21 | PG21   | PG21 |           |

| REVISION RECORD |     |             |      |      |
|-----------------|-----|-------------|------|------|
| REV             | ECN | DESCRIPTION | DRFT | DATE |
|                 |     |             |      |      |



**Housings Feature**

- 01. Material: aluminium die-cast
- 02. Surface: Powder-coated
- 03. Color: grey (RAL 7037)
- 04. Sealing: NBR
- 05. Covers: Plastic
- 06. Limiting temperatures: -40°C ~ +125°C
- 07. Flammability acc: to UL94:V0
- 08. Degree of protection acc: to IP65
- EN60529 for coupled connector: IP65
- 09. Rohs compliance

| DETACHED LISTS         |                      |              |   |
|------------------------|----------------------|--------------|---|
| PART NO.:              | /                    | NAME:        | <b>DEGSON</b> 宁波高松电子有限公司<br>NINGBO DEGSON ELECTRICAL CO., LTD |
| APPD:                  |                      | TITLE:       | CUSTOMER DRAWING  |
| CHKD:                  |                      | DRAWING NO.: |   |
| DRFT:                  | Mr. yding 2017/06/28 | REV          | DO-1  |
| THIRD ANGLE PROJECTION |                      | SHEET        | 1/1   |
|                        |                      | SCALE        | 1:1.5   |

A 8 7 6 5 4 3 2 1