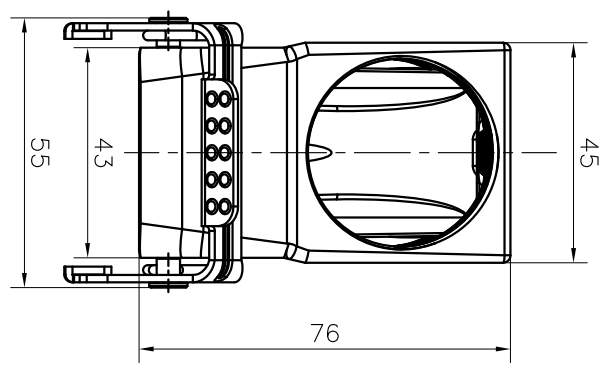
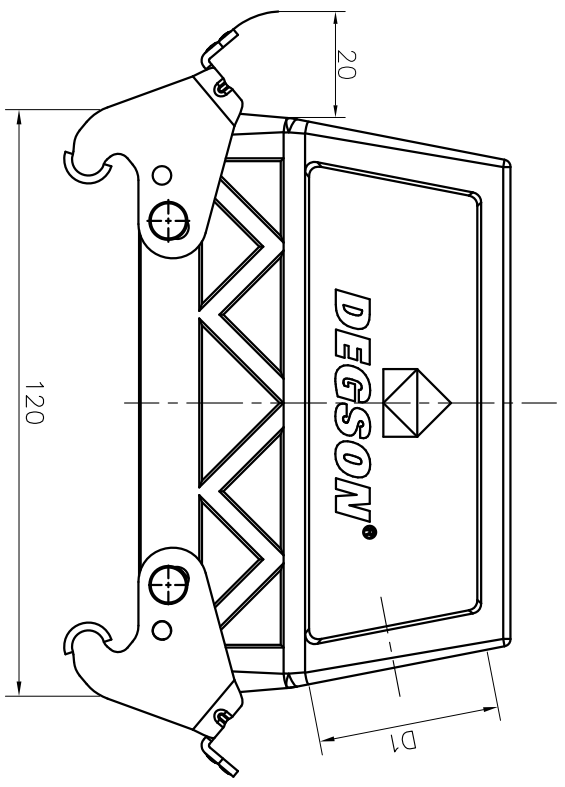
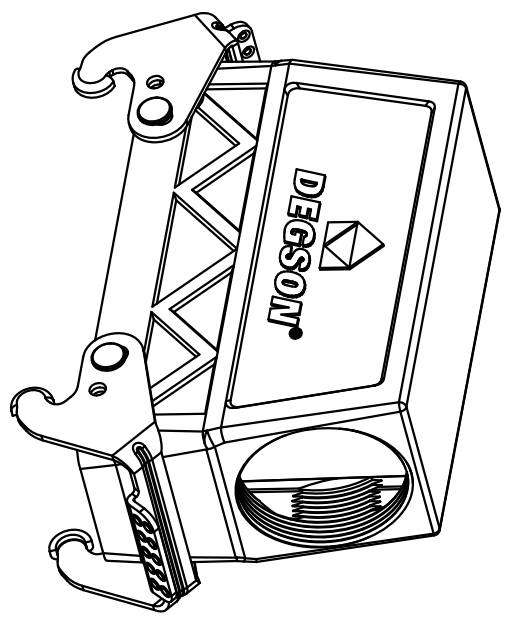


REVISION RECORD


REV	ECN	DESCRIPTION	DRFT	DATE

TYPE	Thread(D1)	Selection
D24B-SEH-2L-M32	M32	
D24B-SEH-2L-M40	M40	
D24B-SEH-2L-PG21	PG21	
D24B-SEH-2L-PG29	PG29	



Hoods Feature

1. Material: aluminium die-cast
2. Surface: Powder-coated
3. Color: grey (RAL 7037)
4. Material: Metal (Lever)
5. Limiting temperatures: -40°C ~ +125°C
6. Flammability acc to UL94: V0
7. Degree of protection acc.to EN60529 for coupled connector : IP65
8. RoHS compliance

PART NO.:		NAME:	
/		 NINGBO DEGSON ELECTRICAL CO., LTD 宁波高松电子有限公司	
APPR:	CHKD:	D24B-SEH-2L-M/PG	
DRAFT: Mr. yong 2017/06/28		TITLE: CUSTOMER DRAWING	
DRAWING NO.:		REV	DO-1
THIRD ANGLE PROJECTION		SHEET	1/1
DO NOT SCALE DRAWING		SCALE	1:1.5

8 7 6 5 4 3 2 1