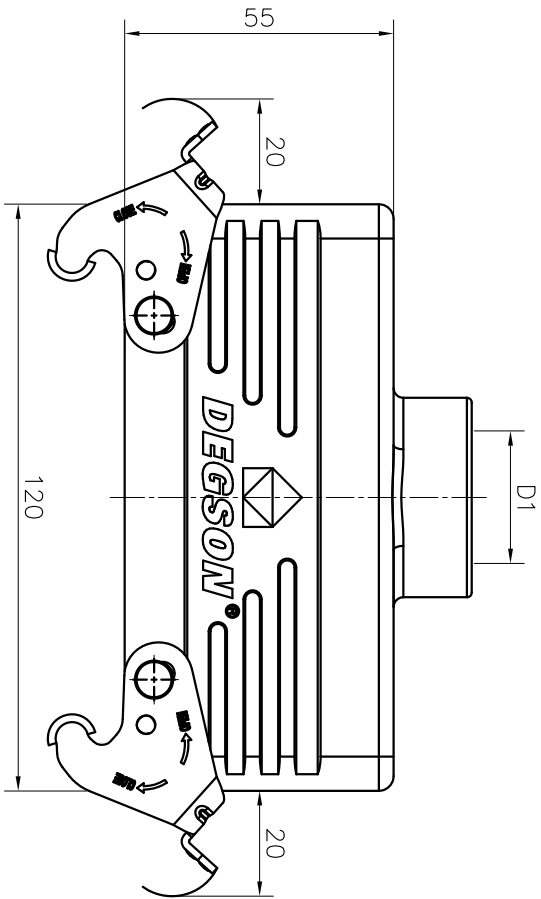
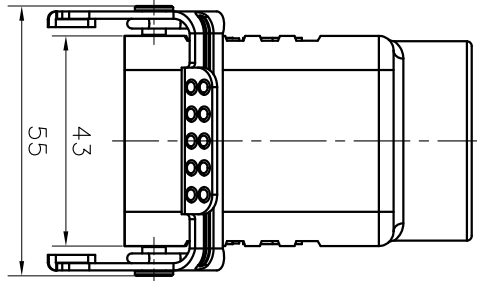
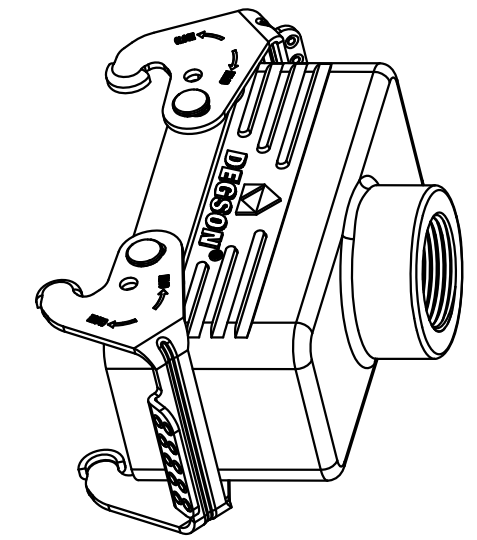


TYPE	Thread(D1)	Selection
D24B-TE-2L-M25	M25	
D24B-TE-2L-M32	M32	
D24B-TE-2L-PG21	PG21	

REVISION RECORD				
REV	ECN	DESCRIPTION	DRFT	DATE



Hoods Feature

1. Material: aluminium die-cast
2. Surface: Powder-coated
3. Color: grey(RAL 7037)
4. Material: Metal (Lever)
5. Limiting temperatures: -40°C ~ +125°C
6. Flammability acc to UL94:V0
7. Degree of protection acc.to EN60529 for coupled connector :IP65
8. Rohs compliance

DETACHED LISTS			
PART NO.:	/	NAME:	DEGSON 宁波高松电子有限公司 NINGBO DEGSON ELECTRICAL CO.,LTD
APPD:			D24B-TE-2L-M/PG
CHKD:		TITLE:	CUSTOMER DRAWING
DRFT:	Mr.young 2017/06/28	DRAWING NO.:	
		REV	DO-1
		SHEET	1/1
		SCALE	1:1.5



THIRD ANGLE PROJECTION