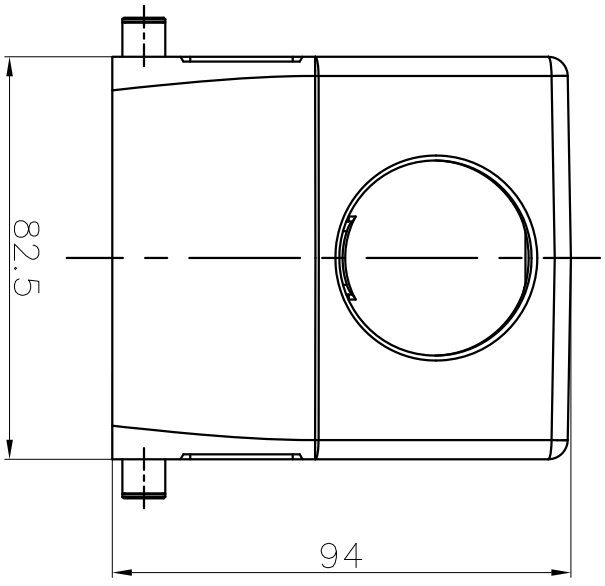
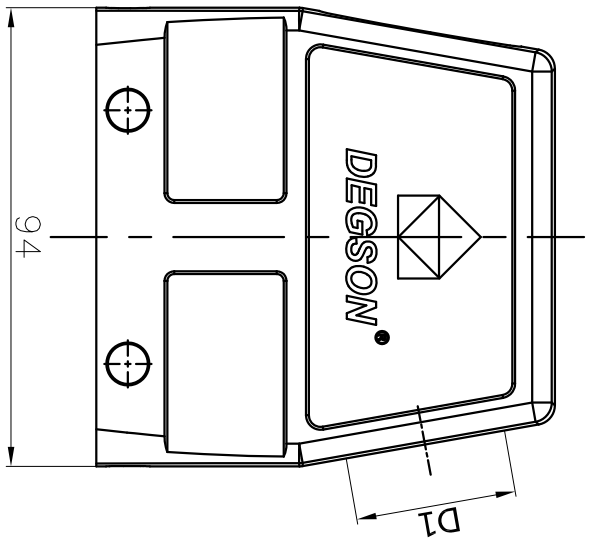
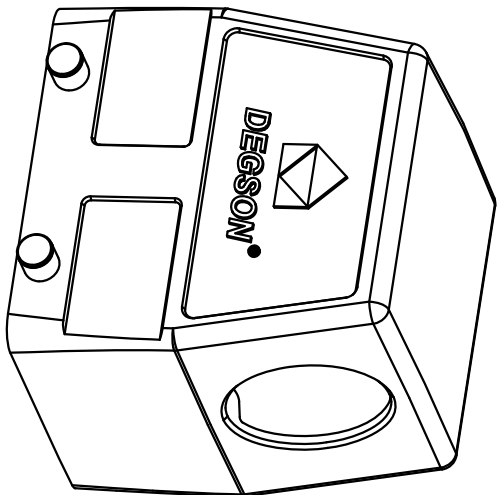


REVISION RECORD				
REV	ECN	DESCRIPTION	DRFT	DATE

H	TYPE	Thread(D1)	Selection
	D32B-SE-4g-M32	M32	
	D32B-SE-4g-M40	M40	
	D32B-SE-4g-M50	M50	
	D32B-SE-4g-PG29	PG29	
	D32B-SE-4g-PG36	PG36	
	D32B-SE-4g-PG42	PG42	



- Hoods Feature
- 01. Material: Aluminum die-cast
 - 02. Surface: Powder-coated
 - 03. Color: grey (RAL 7037)
 - 04. Limiting temperatures: -40°C~+125°C
 - 05. Flammability acc to UL94: V0
 - 06. Degree of protection acc. to EN60529 for coupled connector: IP65
 - 07. Rohs Compliance

PART NO.:		NAME:	
APPD.:		NINGBO DEGSON ELECTRICAL CO., LTD	
CHKD.:		D32B-SE-4g-M/PG	
DRFT: Mr. Yong	2016.08.15	TITLE: CUSTOMER DRAWING	REV DO-1
DRAWING NO.:		SHEET 1/1	
THIRD ANGLE PROJECTION		DO NOT SCALE DRAWING	
SCALE 1:1.5			

A 8 7 6 5 4 3 2 1