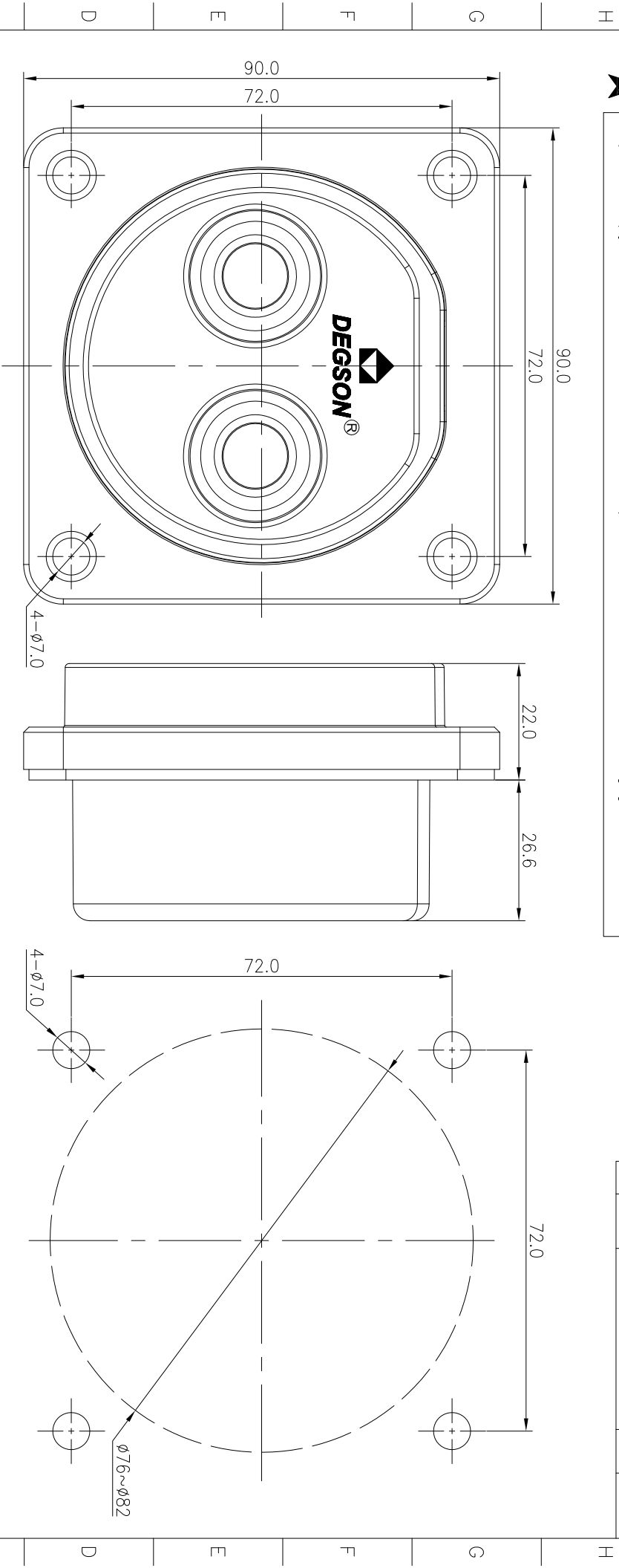


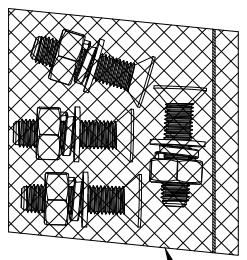


The product comply with the the latest national standard GB/T20234.1、3-2015 "Electric Vehicle Charging Connection device"

REVISION RECORD			
REV	E/CN	DESCRIPTION	DRFT DATE



The mounting screws are individually packaged



FGDC-03-00A(H)

Black

Installation surface aperture requirements

Performance Parameter	
Operating Emperature	-30℃ ~ +50℃
Reference Standard	GB/T 20234.1、3-2015

规格尺寸范围 .XX	.X	公差	角度尺寸范围	.XX	.X
S6		±0.05 ±0.10			
6~30		±0.10 ±0.20			
30~120		±0.15 ±0.30			
120~400		±0.20 ±0.50			
400~1000		±0.30 ±0.80			
1000~2000		±0.50 ±1.20			
			±0.5°		±1.0°

PART NO.:		NAME:		TITLE:	
/		GB DC Vehicle Empty Seat		CUSTOMER DRAWING	
APPD:		NINGBO DEGSON ELECTRICAL CO., LTD		DRAWING NO.: FGDC-C01	
CHKD:		FGDC-03-00A(H)		DO NOT SCALE DRAWING	
DRFT: Nick 11/01/18"		NINGBO DEGSON ELECTRICAL CO., LTD		SCALE	
THIRD ANGLE PROJECTION		NINGBO DEGSON ELECTRICAL CO., LTD		SCALE	
		NINGBO DEGSON ELECTRICAL CO., LTD		SCALE	
		NINGBO DEGSON ELECTRICAL CO., LTD		SCALE	

A 8 7 6 5 4 3 2 1