

REVISION RECORD				
REV	ECN	DESCRIPTION	DRFT	DATE

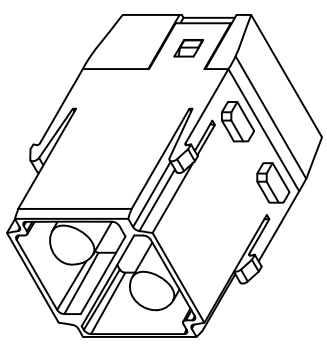
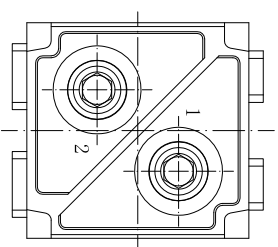
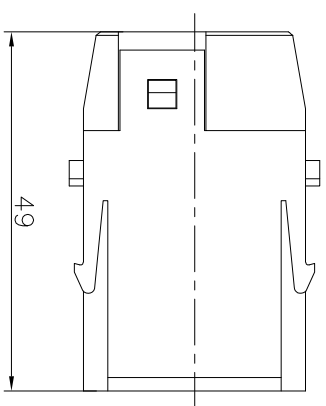
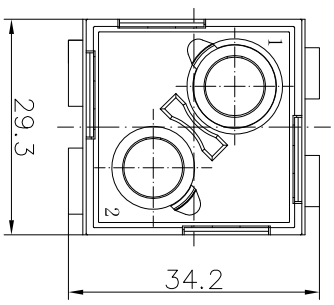
Technical characteristics:
 Specifications
 DIN EN 60 664-1
 DIN EN 61 984




Inserts

01. Number of contacts : 2
02. Rated Current : 100A
03. Rated Voltage : 1000V
04. Pollution degree : 3
05. Rated impulse voltage : 8kv¹⁰
06. Insulation resistance : $\geq 10^9\Omega$
07. Material: Polycarbonate
08. Rated voltage acc. to UL: 600V
09. Limiting temperatures : -40°C~+125°C
10. Flammability acc. to UL94: V0
11. Mechanical working life (mating cycles) : ≥ 500

Contacts

01. Material: Copper alloy
02. Surface: hard-silver plated
03. Contact resistance : 0.3m Ω
04. Terminal : Axial screw terminal
05. Wire gauge : 16-35mm² (AWG 6-2)
06. Hexagonal driver: SW4
07. Stripping length : 13mm
08. Tightening torque : 6-8Nm
09. Rohs Compliance



DETACHED LISTS			
PART NO.:	/	 NINGBO DEGSON ELECTRICAL CO., LTD 宁波高松电子有限公司	
APPD:		NAME: D2MK-002-M(16-35mm ²)	
CHKD:		TITLE: CUSTOMER DRAWING	
DRFT: ydqg	2016.08.22	DRAWING NO.: D2MK-002-M-E01	REV DO-1
 THIRD ANGLE PROJECTION		 DO NOT SCALE DRAWING	SHEET 1/1

A 8 7 6 5 4 3 2 1