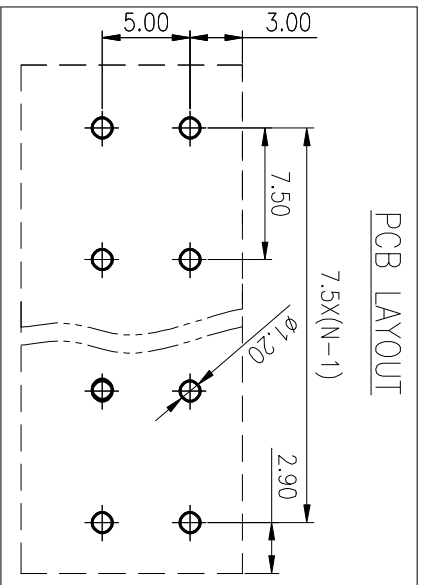
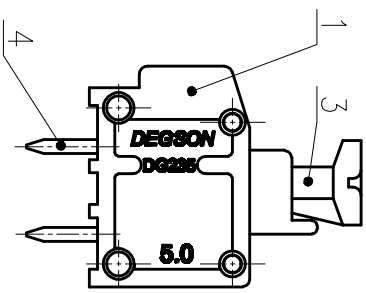
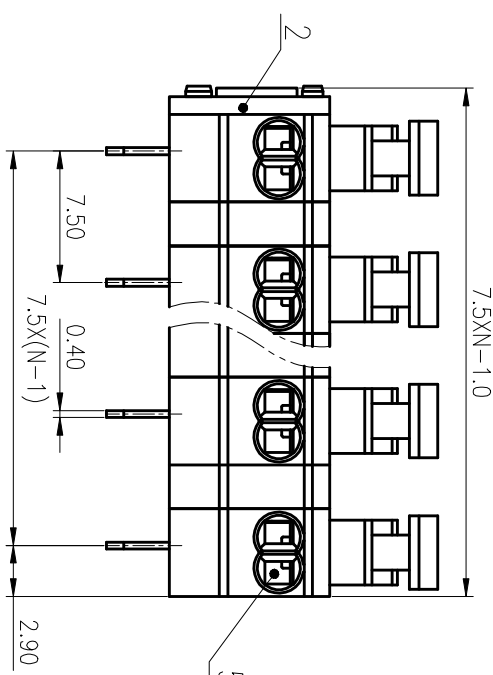
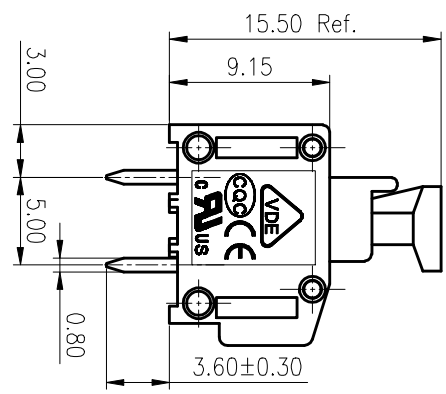
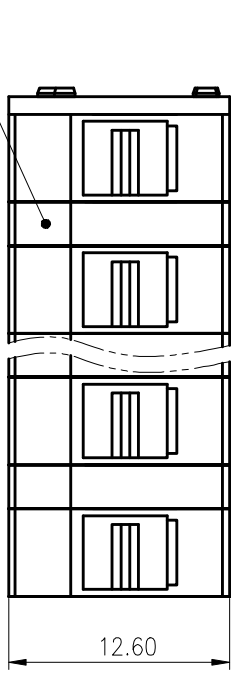


公差表/General Tolerances(mm)		公差表/General Tolerances(mm)										公差表/General Tolerances(mm)		
0	>3	>6	>10	>18	>30	>50	>80	>120	>180	>280	>315	>400	>500	0.1/1/10
±0.12	±0.18	±0.22	±0.26	±0.31	±0.37	±0.57	±0.80	±0.93	±1.05	±1.15	±1.60	±2.20	±2.50	±Z



ITEM	NAME OF PART	MATERIAL	NOTES
1	Housing	PA66	UL94V-0
2	Cover	PA66	UL94V-0
3	Button	PA66	UL94V-0
4	Pin header	Copper alloy	Sn Plated
5	Spring	Stainless steel	/
6	Calpboard	PA66	UL94V-0

REV	ECN	DESCRIPTION	DRAFT	DATE
1				
2				
3				
4				

MATERIAL:	/	SURFACE:	/
MAT NO.:	/		
STATUS:	/		
APPD: LiGL	202.06.18	NAME:	<b>DEGSON® NINGBO DEGSON ELECTRICAL CO., LTD</b>
CHKD: Mek	2020.06.18	DRAWING NO.:	<b>DG235T-7.5-XXP-1Y-00A(H)</b>
DRAFT: MSh	2020.06.18	TYPE:	CUSTOMER DRAWING
SIZE: A4	mm / inch	SCALE:	2.5:1 SHEET
		REV	T0
		1/1	

UL 标准/UL Standard:	B	C	D
额定电压/电涌/Rated Voltage(V)/Current(A)	300/5	150/5	300/5
IEC 标准/IEC Standard:			
过压类别/Overvoltage Category/污秽等级/Pollution Degree	/	III/2	/
额定电压/电涌/Rated Voltage(V)/Current(A)	/	250/10	/
工频耐压/Withstanding Voltage(V)/1Min)	AC2000		
线径范围(裸线/带绝缘)/Wire Range(rigid and flexible)(mm <sup>2</sup> /AWG)	1.5/20~18		
间距/Pitch(mm)/线径范围/Strip length(mm)	7.5/N=02~16P		
使用温度范围/Operating Temperature(°C)	-40~+105		
符合RoHS要求/Conform to RoHS	Yes		
标准颜色编号/Standard color number:	/		
PANTONE / RAL	/		