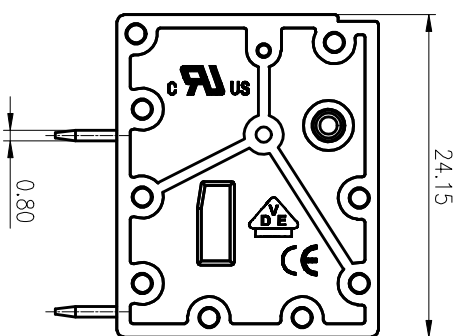
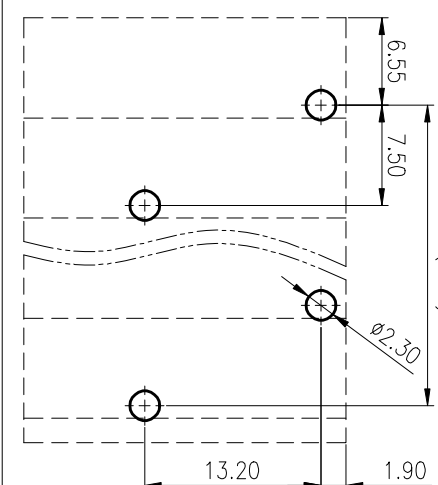


Based on Cover, the first one is Front pin header.



PCB LAYOUT

7.50x(N-1)



公差/General Tolerance(mm)		公差/General Tolerance(mm)										公差/General Tolerance(mm)		
0	>3	>6	>10	>18	>30	>50	>80	>120	>180	>250	>315	>400	0.1/1.0	
3	~6	~10	~18	~30	~50	~80	~120	~180	~250	~315	~400	~500	±2	
±0.12		±0.18	±0.22	±0.26	±0.31	±0.37	±0.57	±0.80	±0.93	±1.05	±1.15	±1.60	±2.20	±2.50

ITEM	NAME OF PART	MATERIAL	NOTES
6	Spring	Stainless steel	/
5	Back pin header	Copper	Sn Plated
4	Front pin header	Copper	Sn Plated
3	Cover	PA66	UL94V-0
2	Center housing	PA66	UL94V-0
1	End housing	PA66	UL94V-0

UL 标准/UL Standard:	B	C	D
额定电压/额定电压(V)/Rated Voltage(V)	600/40	600/40	600/5
额定电流/额定电流(A)/Rated Current(A)	600/40	600/40	600/5
IEC 标准/IEC Standard:			
过电压类别/Overvoltage Category/污秽等级	III/3	III/2	II/2
污染等级/Pollution Degree	III/3	III/2	II/2
额定电压/额定电压(V)/Rated Voltage(V)	630/41	1000/41	1000/41
额定冲击电压(KV)/Rated Impulse Voltage(KV)	8	8	8
额定容量(额定容量)/Wire Range(rigid and flexible)(mm ² /AWG)	0.2-6/24~8		
间距/Pitch(mm)/线径范围/Poles	7.5/N=02~16P		
剥线长度/Stripping length(mm)	14-15		
使用温度范围/Operating temperature(°C)	-40~+105		
符合RoHS环保要求/Conform to RoHS	Yes		

MATERIAL: /

SURFACE: /

NINGBO DEGSON ELECTRICAL CO., LTD

宁波高松电子有限公司

APPD: Li QL 2020.05.15

NAME: DG271R-7.5-DA-XXP-1Y-100A(H)

CHKD: MoEK 2020.05.15

DRAWING NO.: DG271R-7.5-DA-C04

DRT: BYH 2018.10.08

TYPE: CUSTOMER DRAWING

REV	ECN	DESCRIPTION	DRT	DATE	SIZE: A4	SCALE: 2:1	SHEET
1/1							