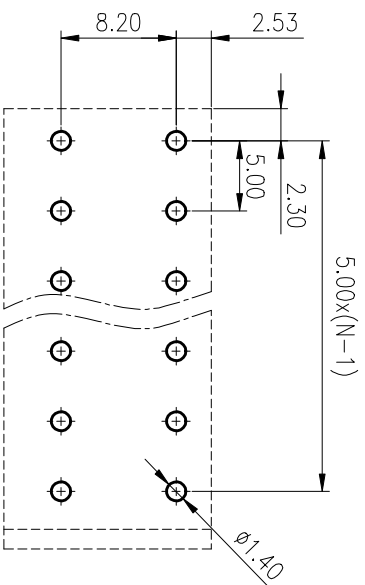
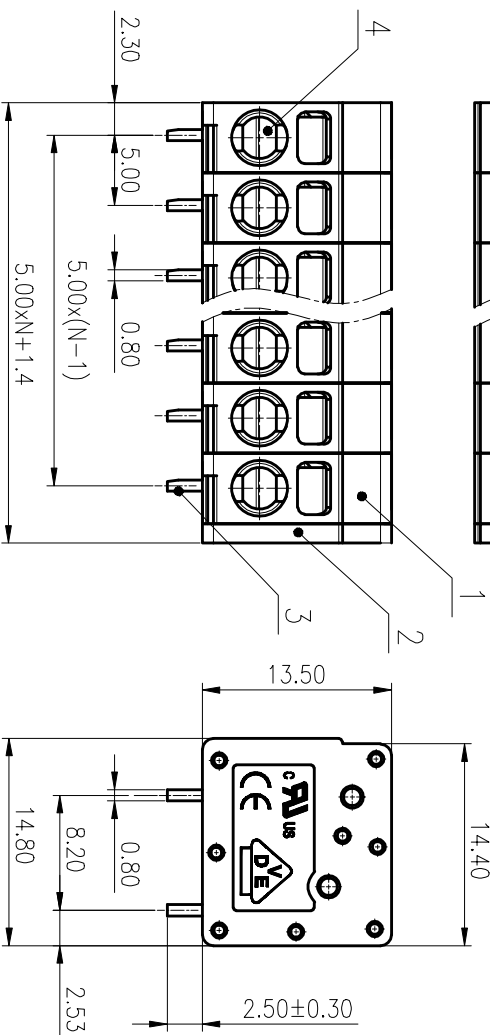
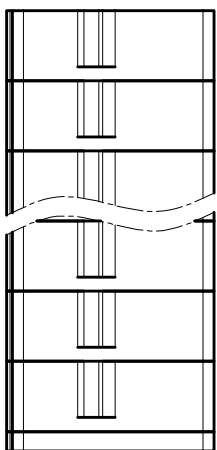


尺寸/公差 (mm)	0	>3	>6	>10	>18	>30	>50	>80	>120	>180	>250	>315	>400	>500	0.1/1/10
±0.12	±0.18	±0.22	±0.26	±0.31	±0.37	±0.57	±0.80	±0.93	±1.05	±1.15	±1.60	±2.20	±2.50	±2.50	±Z



PCB LAYOUT

4	Spring	Stainless steel	/
3	Pin header	Copper	Sn Plated
2	Cover	PA66	UL94V-0
1	Housing	PA66	UL94V-0
ITEM	NAME OF PART	MATERIAL	NOTES
UL 标准 / UL Standard:	B	C	D
额定电压/电涌 / Rated Voltage(V)/Current(A)	300/20	/	300/10
IEC 标准 / IEC Standard:	III/3	III/2	II/2
过压类别 / Overvoltage Category / 污秽等级 / Pollution Degree	III/3	III/2	II/2
额定电压/电涌 / Rated Voltage(V)/Current(A)	250/24	400/24	630/24
额定脉冲电压 / Rate Impulse Voltage(KV)	4	4	4
额定范围 (硬线和软线) / Wire Range (rigid and flexible) (mm ² /AWG)	0.2~2.5 (4.0S0L) / 24~12		
间距 / Pitch (mm) / 线数范围 / Poles	5.0 / N=01~24P		
剥线长度 / Stripping length (mm)	10		
使用温度范围 / Operating temperature (°C)	-40~+105		
符合 RoHS 环保要求 / Conform to RoHS	Yes		

MATERIAL: /

SURFACE: /

NINGBO DEGSON ELECTRICAL CO., LTD

宁波高松电子有限公司

MAT NO.: /

STATUS: /

APPD: Li GL 2020.05.15

NAME: /

CHKD: MoEK 2020.05.15

DRAWING NO.: DG271R-5.0-C04

DFT: WangW 2020.05.15

TYPE: CUSTOMER DRAWING

REV ECN DESCRIPTION

DRAFT DATE

SIZE: A4

SCALE: 2:1

SHEET

1/1