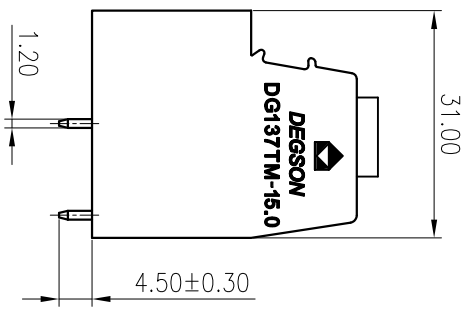
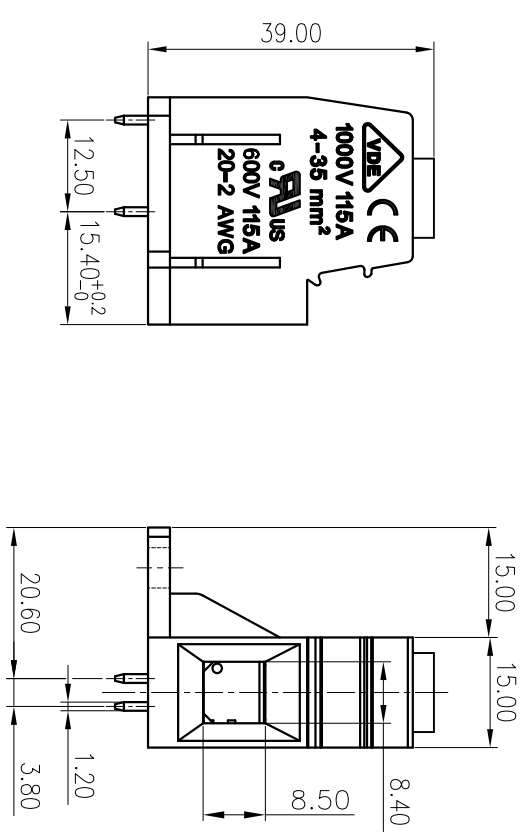
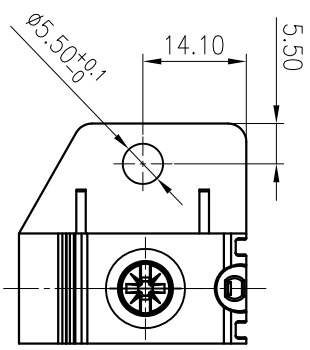


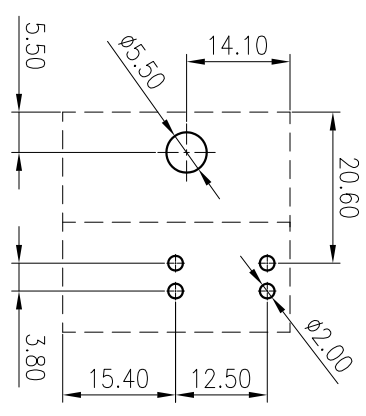
公差/General Tolerances(mm)		0	>3	>6	>10	>18	>30	>50	>80	>120	>180	>250	>315	>400	>500	0.1/10
±0.12	±0.18	±0.22	±0.26	±0.31	±0.37	±0.43	±0.51	±0.57	±0.63	±0.93	±1.05	±1.15	±1.60	±2.20	±2.50	±Z



ITEM	NAME OF PART	MATERIAL	NOTES
4	Screw	Steel	M5/Izn Plated
3	Cage	Steel	M5/Izn Plated
2	Pin header	Copper	Sn Plated
1	Housing	PA66	UL94V-0

UL 标准/UL Standard:	B	C	D
额定电压/电流/Rated Voltage(V)/Current(A)	600/115	600/115	600/115
EC 标准/EC Standard:	/		
过压类别/Overvoltage Category/污秽等级/Pollution Degree	III/2		
额定电压/电流/Rated Voltage(V)/Current(A)	1000/115		
工频耐压/Withstanding voltage(V/Min)	AC3500		
螺丝扭矩/Torque Tightening(N·m/Lb·in)	M5, 2.0/17.54		
线径范围(硬线和软线)/Wire Range(rigid and flexible)(mm ² /AWG)	4~35/20~2		
剥线长度/Stripping length(mm)	18~19		
使用温度范围/Operating temperature(°C)	-40~+105		
符合RoHS环保要求/Conform to RoHS	Yes		

PCB LAYOUT



MATERIAL: /
SURFACE: /

DEGSON® 宁波高松电子有限公司
NINGBO DEGSON ELECTRICAL CO., LTD

NAME: DG137TM-15.0-01P-1Y-10A(H)

APPD: LanChH	2020.05.20	DRAWING NO.:	10002112	REV	TO
CHKD: YuJZh	2020.05.20	TYPE: CUSTOMER DRAWING	SCALE: 1:1	SHEET	1/1
DFT: BoYH	2020.05.20				

REV	ECN	DESCRIPTION	DFT	DATE

1	2	3	4	5	6