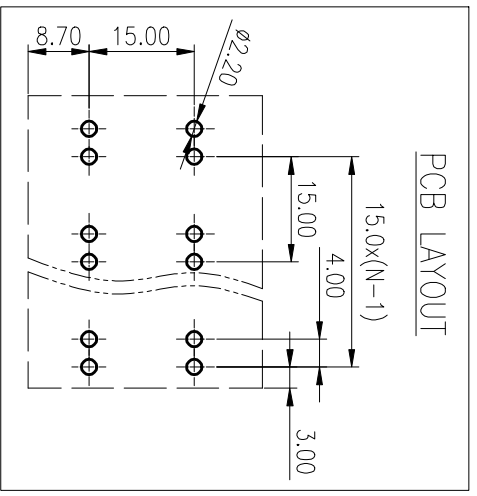
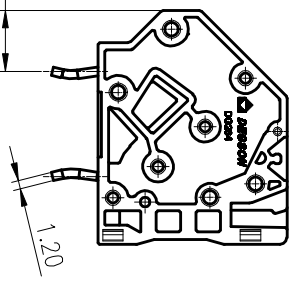
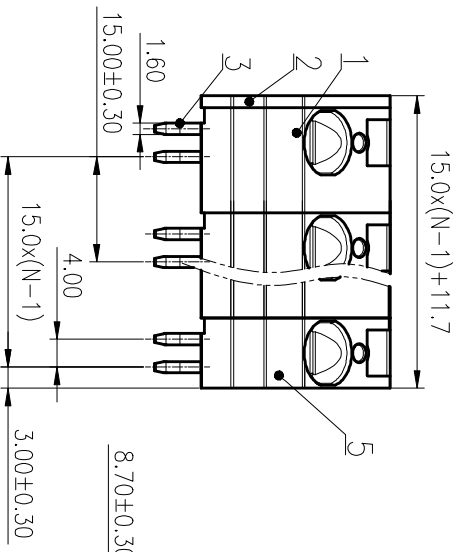
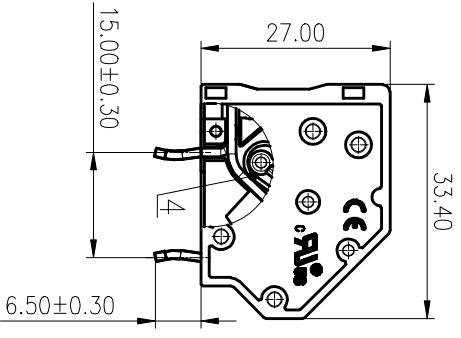
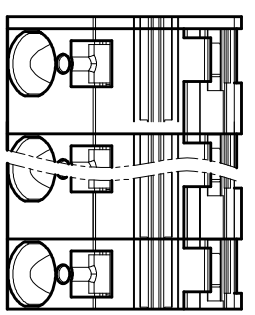


公差等级/General Tolerances(mm)		0.1/10	
0	>3	>6	>120
3	~6	~10	~180
6	~10	~18	~250
10	~18	~30	~400
±0.12	±0.18	±0.22	±0.26
±0.31	±0.37	±0.57	±0.80
±1.05	±1.15	±1.60	±2.20
±2.50	±2.50	±2.50	±2.50



REV	ECN	DESCRIPTION	DRAFT	DATE

ITEM	NAME OF PART	MATERIAL	NOTES
5	Housing 2	PA66	UL94V-0
4	Spring	Stainless steel	/
3	Pin Header	Copper	Sn Plated
2	Cover	PA66	UL94V-0
1	Housing 1	PA66	UL94V-0

UL 标准/UL Standard: B C D

额定电压/电涌/Rated Voltage(V)/Current(A) 300/66/300/66/300/10

IEC 标准/IEC Standard: B C D

过压类别/Overvoltage Category/污秽等级/Pollution Degree III/3 III/2 II/2

额定电压/电涌/Rated Voltage(V)/Current(A) 630/76/1000/76/1000/76

额定脉冲电压/Rate Impulse Voltage(KV) 8 8 8

线径范围(硬线和软线)/Wire Range(rigid and flexible)(mm²/AWG) 0.2~16/24~4

间距/Pitch(mm)/线数范围/Poles 15.0/N=02~12P

剥线长度/Stripping length(mm) 12-13

使用温度范围/Operating temperature(°C) -40~+105

符合RoHS要求/Conform to RoHS Yes

MATERIAL: /

SURFACE: /

MAT NO.: /

STATUS: /

APPD: Li GL 2020.06.13

CHKD: Ma EK 2020.06.13

DRAFT: WWF 2015.07.07

NAME: **DEGSON® NINGBO DEGSON ELECTRICAL CO., LTD**

DG264-15.0-XXP-1Y-00A(H)

DRAWING NO.: DG264-15.0-C01

TYPE: CUSTOMER DRAWING

SCALE: 1:1

REV T2

SHEET 1/1

SIZE: A4

符合RoHS要求/Conform to RoHS