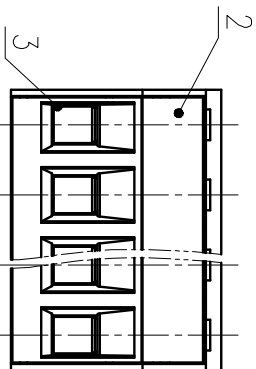
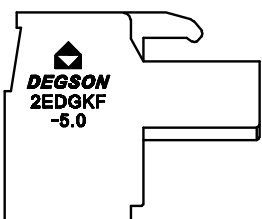
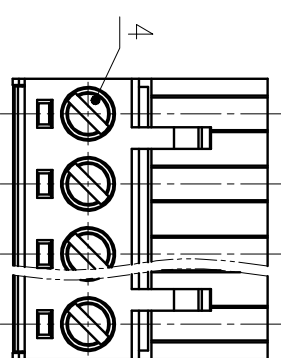
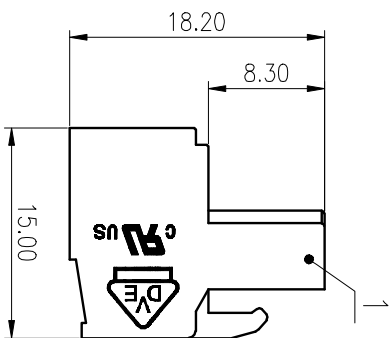
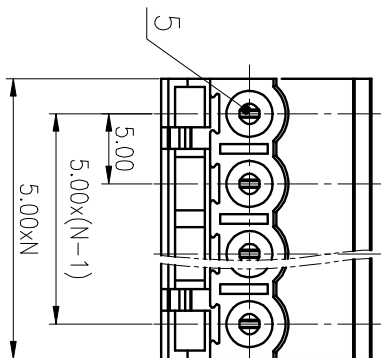
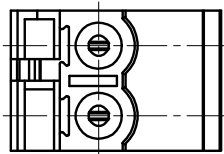


02P



公差等级/General Tolerances(mm)		公差等级/General Tolerances(mm)										公差等级/General Tolerances(mm)	
0	>3	>6	>10	>18	>30	>50	>80	>120	>180	>250	>315	>400	0.1/10
~	~	~	~	~	~	~	~	~	~	~	~	~	±Z
3	6	10	18	30	50	80	120	180	250	315	400	500	±Z
±0.12	±0.18	±0.22	±0.26	±0.31	±0.37	±0.57	±0.80	±0.93	±1.05	±1.15	±1.60	±2.20	±2.50

REV	ECN	DESCRIPTION	DRAFT	DATE	SIZE: A4	TYPE: CUSTOMER DRAWING	SCALE: 2:1	SHEET
1	2	3	4	5	6	7	8	9
MATERIAL: /					SURFACE: /			
MAT NO.: /					DEGSON® NINGBO DEGSON ELECTRICAL CO., LTD			
STATUS: /					NAME: 2EDGKF-5.0-XXP-1Y-1000A(H)			
APPD: LanChh 2020.06.23					DRAWING NO.: 10002080			
CHKD: YuZhn 2020.06.23					REV: T0			
DRFT: BotH 2020.06.23					SCALE: 2:1			
					SHEET 1/1			

ITEM	NAME OF PART	MATERIAL	NOTES
1	Housing	PA66	UL94V-0
2	Cover	PA66	UL94V-0
3	Cage	Copper Alloy	M3/Ni Plated
4	Screw	Steel	M3/Zn Plated
5	Clamp	Copper Alloy	Sn Plated

UL 标准/UL Standard:	B	C	D
额定电压/电涌/Rated Voltage(V)/Current(A)	300/15	/	300/10
IEC 标准/IEC Standard:	III/2		
过压类别/Overvoltage Category/污染等级	III/2		
污染度/Pollution Degree	3/0/20		
额定电压/电涌/Rated Voltage(V)/Current(A)	3/0/20		
额定脉冲电压(kV)/Rate Impulse Voltage(kV)	4.0		
额定扭矩/Torque Tightening(N·m/Lbin)	M3, 0.5/4.43		
线芯范围(硬线和软线)/Wire Range(rigid and flexible)(mm²/AWG)	0.2~2.5/28~12		
间距/Pitch(mm)/线数范围/Poles	5.00/N=02~22P		
剥线长度/Stripping length(mm)	7~8		
使用温度范围/Operating temperature(°C)	-40~+105		
符合RoHS要求/Conform to RoHS	Yes		