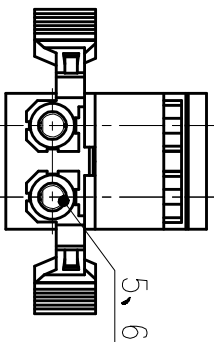
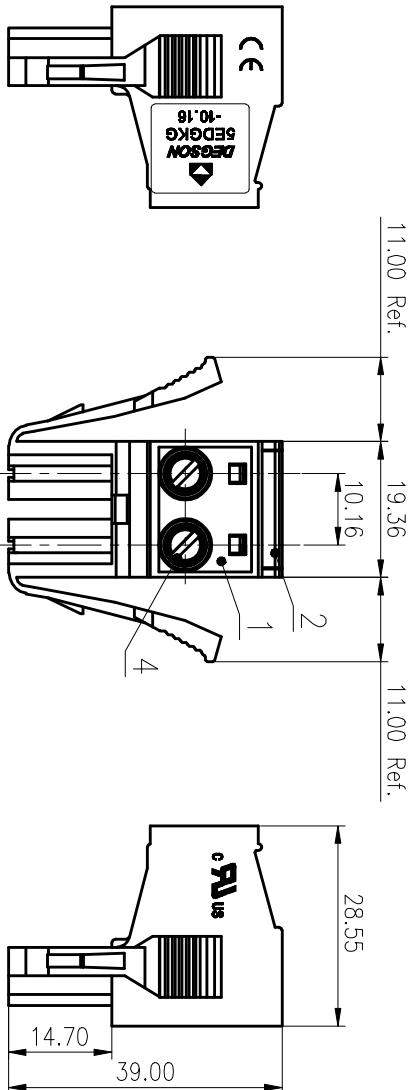
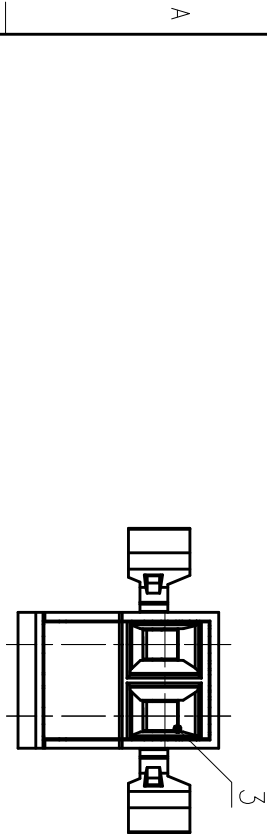


公差等级/General Tolerances(mm)		公差等级/General Tolerances(mm)										公差等级/General Tolerances(mm)	
0	>3	>6	>10	>18	>30	>50	>80	>120	>180	>250	>315	>400	0.1/1/10
~	~	~	~	~	~	~	~	~	~	~	~	~	~
3	6	10	18	30	50	80	120	180	250	315	400	500	~
±0.12	±0.18	±0.22	±0.26	±0.31	±0.37	±0.57	±0.80	±0.93	±1.05	±1.15	±1.60	±2.20	±2.50
													±2



MATERIAL:	/	SURFACE:	/
MAT NO.:	/		
STATUS:	/		
APPD:			
CHKD:			
DRAWING NO.:	SEDGKG-10.16-C01	SCALE:	1:1
TYPE:	CUSTOMER DRAWING	SHEET	1/1

ITEM	NAME OF PART	MATERIAL	NOTES
1	Housing	PA66	UL94V-0
2	Cover	PA66	UL94V-0
3	Cage	Copper alloy	M4/Ni Plated
4	Screw	Copper alloy	M4/Ni Plated
5	Clamp	Copper	Ag Plated
6	Spring	Stainless steel	/

UL 标准/UL Standard:	B	C	D
额定电压/电涌/Rated Voltage(V)/Current(A)	600/52	600/52	600/52
IEC 标准/IEC Standard:			
过压类别/Overvoltage Category/污染等级/Pollution Degree	III/3	III/2	II/2
额定电压/电涌/Rated Voltage(V)/Current(A)	600/57	/	/
额定脉冲电压(kV)/Rate Impulse Voltage(kV)	6	/	/
额定扭矩/扭矩 Tightening(N·m/Lb·in)	M4: 1.2/10.53		
线径范围(硬线和软线)/Wire Range(rigid and flexible)(mm ² /AWG)	0.5~10/20~6		
间距/Pitch(mm)/线径范围/Poles	10.16/N=02P		
剥线长度/Stripping length(mm)	10~12		
使用温度范围/Operating temperature(°C)	-40~+105		
符合RoHS环保要求/Conform to RoHS	Yes		

宁波高松电子有限公司
NINGBO DEGSON ELECTRICAL CO., LTD

NAME: SEDGKG-10.16-02P-1Y-200A(H)

REV	ECN	DESCRIPTION	DRAFT	DATE