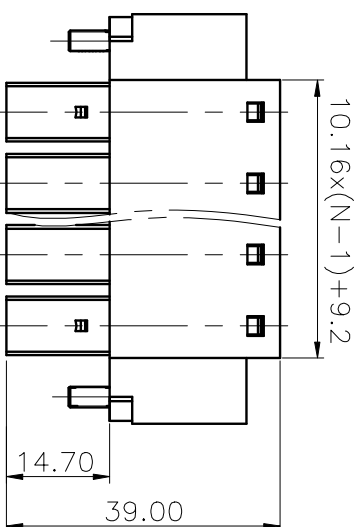
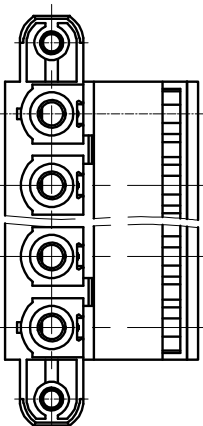
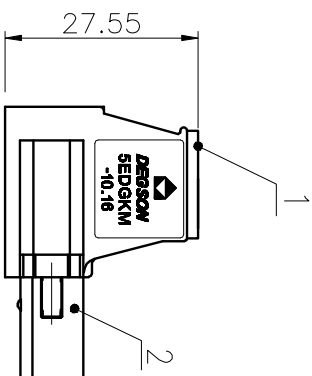
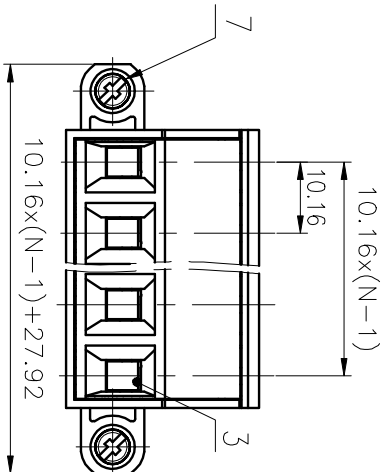
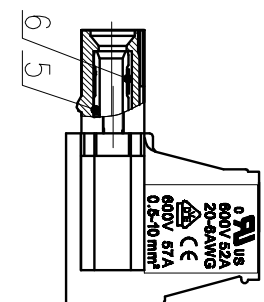
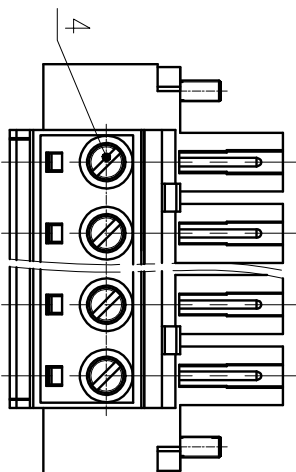


| 精度等级/General Tolerances(mm) | | 公差等级/General Tolerances(mm) | | | | | | | | | | 公差等级/General Tolerances(mm) | | |
|-----------------------------|-------|-----------------------------|-------|-------|-------|-------|-------|-------|-------|-------|-------|-----------------------------|-------|----------|
| 0 | >3 | >6 | >10 | >18 | >30 | >50 | >80 | >120 | >180 | >250 | >315 | >400 | >500 | 0.1/1/10 |
| ~ | ~ | ~ | ~ | ~ | ~ | ~ | ~ | ~ | ~ | ~ | ~ | ~ | ~ | ±Z |
| ±0.12 | ±0.18 | ±0.22 | ±0.26 | ±0.31 | ±0.37 | ±0.57 | ±0.80 | ±0.93 | ±1.05 | ±1.15 | ±1.60 | ±2.20 | ±2.50 | ±Z |



| ITEM | NAME OF PART | MATERIAL | NOTES |
|------|--------------|-----------------|--------------|
| 1 | Housing | PA66 | UL94V-0 |
| 2 | Cover | PA66 | UL94V-0 |
| 3 | Cage | Copper alloy | M4/Ni Plated |
| 4 | Screw1 | Copper alloy | M4/Ni Plated |
| 5 | Clamp | Copper | Ag Plated |
| 6 | Spring | Stainless steel | |
| 7 | Screw2 | Copper alloy | M3/Sn Plated |

| REV | ECN | DESCRIPTION | DRAFT | DATE |
|-----|-----|-------------|-------|------|
| 1 | | | | |

| | | | |
|-----------|-------------------|-------------------------------|------------|
| MATERIAL: | | SURFACE: | |
| MAT NO.: | / | | |
| STATUS: | / | | |
| APPD: | LI GL 2020.06.18 | NAME: | |
| CHKD: | Moo J 2020.06.18 | SEDGKM-10.16-XXP-1Y-00A(H) | |
| DRAFT: | Feng X 2020.06.17 | DRAWING NO.: SEDGKM-10.16-C01 | |
| SIZE: A4 | mm / inch | TYPE: CUSTOMER DRAWING | SCALE: 1:1 |
| | | | SHEET 1/1 |

| UL Standard: | B | C | D |
|--|----------------|--------|--------|
| 额定电压/电涌/Rated Voltage(V)/Current(A) | 600/52 | 600/52 | 300/70 |
| IEC 标准/IEC Standard: | | | |
| 过压类别/Overvoltage Category/污秽等级/Pollution Degree | III/3 | / | / |
| 额定电压/电涌/Rated Voltage(V)/Current(A) | 600/57 | / | / |
| 额定脉冲电压(KV)/Rate Impulse Voltage(KV) | 6.0 | / | / |
| 螺栓扭矩/Torque Tightening(N.m/Lb.in) | M4: 1.2/10.53 | | |
| 线径范围(硬线和软线)/Wire Range(rigid and flexible)(mm ² /AWG) | 0.5~10/20~6 | | |
| 间距/Pitch(mm)/线数范围/Poles | 10.16/N=02~08P | | |
| 剥线长度/Stripping length(mm) | 7~8 | | |
| 使用温度范围/Operating Temperature(°C) | -40~+105 | | |
| 符合RoHS标准/Conform to RoHS | Yes | | |
| 标准颜色编号/Standard color number: | | | |
| PANTONE / RAL | / | | |

DEGSON 宁波高松电子有限公司
NINGBO DEGSON ELECTRICAL CO., LTD

SEDGKM-10.16-XXP-1Y-00A(H)

| REV | T0 |
|-----|-----|
| 1 | 1/1 |