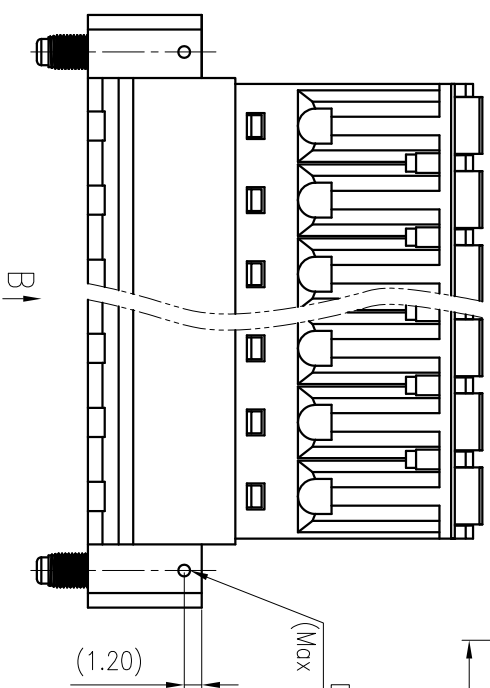
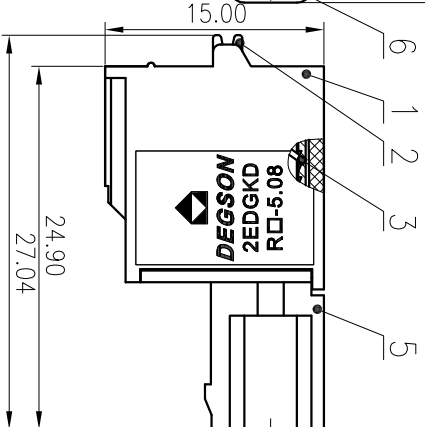
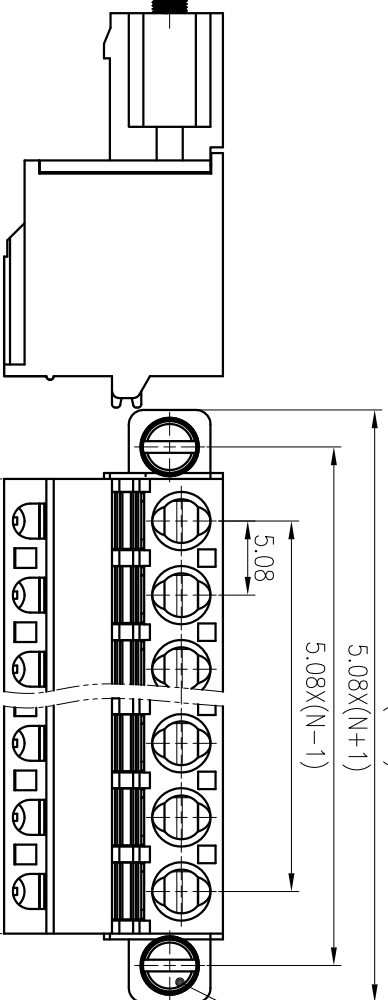
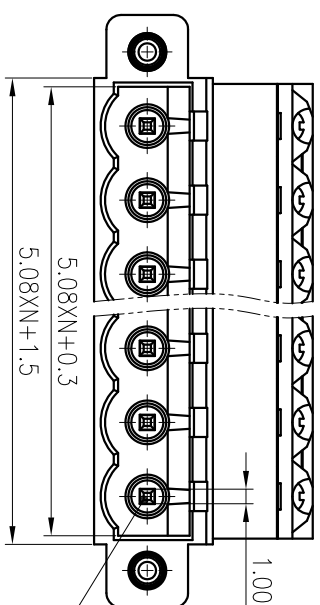


公差/General tolerances(mm)		公差/General tolerances(mm)	
0	>3	>18	>30
~	>6	>18	>50
~	>10	30	80
3	6	18	120
~	10	30	180
~	18	50	250
~	30	80	315
~	50	120	400
~	80	180	500
~	120	250	>500
~	180	315	>190
~	250	315	>250
~	315	400	>315
~	400	500	>400
~	500	>500	>500
±0.12	±0.18	±0.22	±0.26
±0.26	±0.31	±0.37	±0.57
±0.80	±1.09	±1.15	±1.60
±2.20	±2.50		
±7°	±7°		



REV	ECN	DESCRIPTION	DRAFT	DATE	SIZE: A4	SCALE: 2:1	SHEET
							1/1

Drill hole (Max  $\phi 0.8 \times 0.5 \text{mm}$ ) \*2

6	Screw	Steel	Zn plated
5	Cover	PA66	UL94V-0
4	Clamp	Copper	Sn plated
3	Spring	Stainless steel	
2	Button	PA66	UL94V-0
1	Housing	PA66	UL94V-0

ITEM	NAME OF PART	MATERIAL	NOTES
UL 标准/UL Standard:			
额定电压/电压/Rated Voltage(V)/Current(A) 300/10			
IEC 标准/IEC Standard:			
过压类别/Overvoltage Category/污染等级 III/3			
额定电压/电压/Rated Voltage(V)/Current(A) III/2			
额定冲击电压/Rated Impulse Voltage(KV) 250/12			
数据范围(硬线/软线)/Wire Range(rigid and flexible)(mm <sup>2</sup> /AWG) 0.2~2.5/26~12			
间距/Pitch(mm)/线数范围/Poles 5.08/N=02~16P			
剥线长度/Stripping length(mm) 10			
使用温度范围/Operating temperature(°C) -40~+105			
符合RoHS环保要求/Conform to RoHS Yes			

MATERIAL: /  
 MAT NO.: /  
 STATUS: /  
 APPD: LICL 2020.06.03  
 CHKD: Mek 2020.06.03  
 DRAFT: LuoXM 2020.06.03

NAME: **DEGSON®** 宁波高松电子有限公司  
 NINGBO DEGSON ELECTRICAL CO., LTD  
**2EDGKDRM-5.08-XXP-1Y-00A(H)**  
 DRAWING NO.: 2EDGKDRM-5.08-C01  
 TYPE: CUSTOMER DRAWING  
 SCALE: 2:1  
 SHEET: 1/1