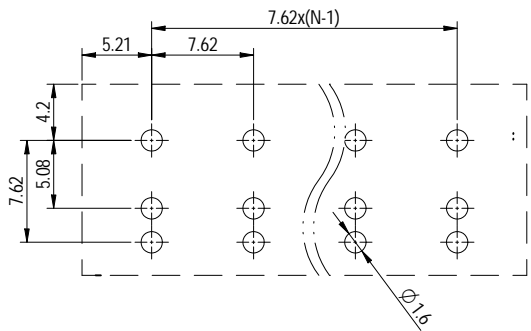
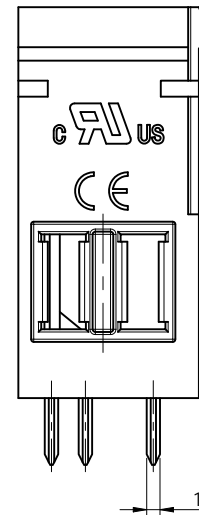
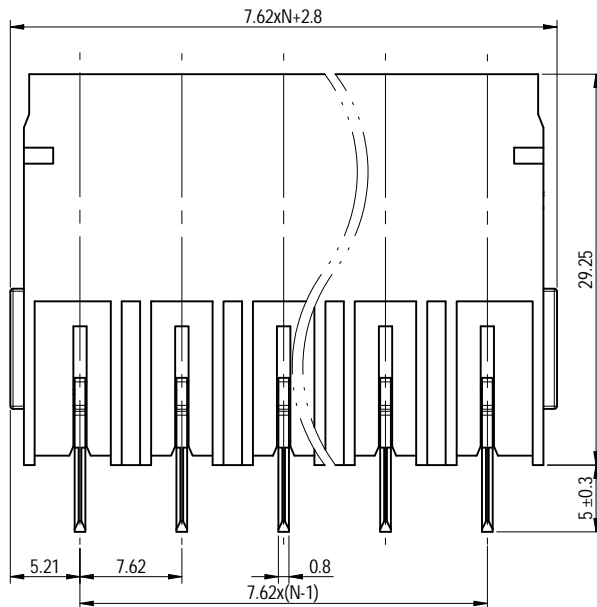
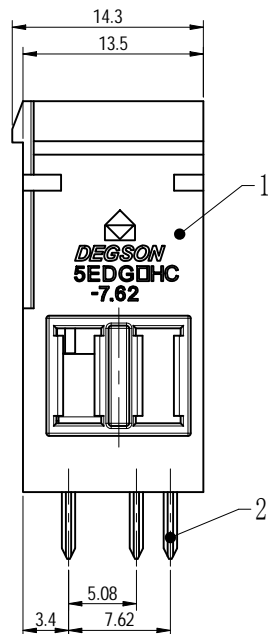
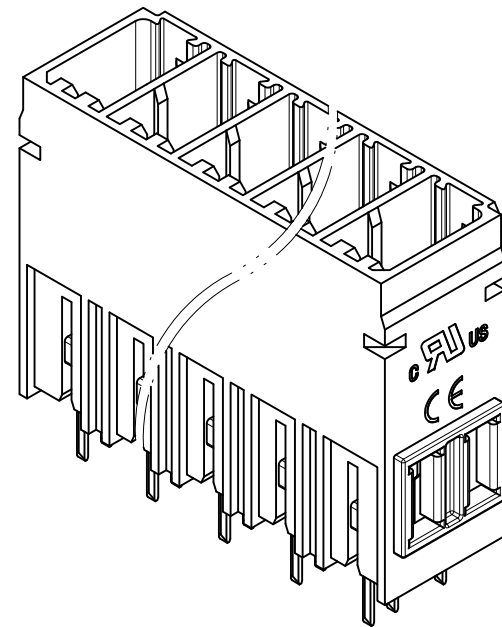
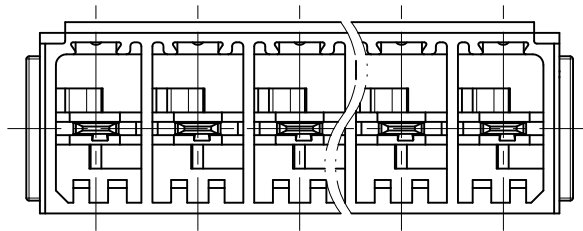


PCB LAYOUT



未注公差/General tolerances (mm)													$\frac{D}{\phi}$	
0	>3	>6	>10	>18	>30	>50	>80	>120	>180	>250	>315	>400	>500	0.1/10
~	3	6	10	18	30	50	80	120	180	250	315	400	500	
													$\frac{H}{f}$	
													$\pm 2$	



Note:  
The AKZ(H) in the name means: A(H) and Z(H).

2	Pin header	Copper	Sn plated
1	Housing	PA66	UL94V-0

ITEM	NAME OF PART	MATERIAL	NOTES
UL 标准/UL Standard:			
	额定电压/电流/Rated Voltage(V)/Current(A)	B 300/41	C 300/41 D 600/5
IEC 标准/IEC Standard:			
	过压类别/Overvoltage Category/污染等级/Pollution Degree	III/3	III/2 II/2
	额定电压/电流/Rated Voltage(V)/Current(A)	630/41	630/41 1000/41
	额定脉冲电压(KV)/Rate Impulse Voltage(KV)	6	6 6
	间距/Pitch(mm)/线数范围/Poles	7.62/N=02~12P	
	使用温度范围/Operating temperature(°C)	-40~+105	
	符合RoHS环保要求/Conform to RoHS	Yes	

<b>DEGSON</b>		MATERIAL:	SURFACE/COLOR:		
APPD: 兰春华	2023.03.14	MAT NO./REV: - / 00	MAT STATUS: 批量		
CHKD: 黄耀志	2023.03.14	NAME: 5EDGVHC-7.62-XXP-1Y-00A&Z(H)			
DRFT: 朱岳鹏	2023.03.14	DRAWING NO. 200020305	TYPE: CUSTOMER DRAWING	DRAWING STATUS: 已发布	SCALE: 1:1 SHEET: 1/1

REV	ECN	DESCRIPTION	DRFT	DATE
00			朱岳鹏	2023.03.14

Transfer or duplication of this document as well as the utilization of its contents without the written permission of DEGSON is prohibited. All rights reserved for patent. 未经授权复制或传播本文件及其内容，或未经许可使用其内容，均属于侵权行为。DEGSON 保留所有权利。未经许可复制或传播本文件及其内容，或未经许可使用其内容，均属于侵权行为。DEGSON 保留所有权利。