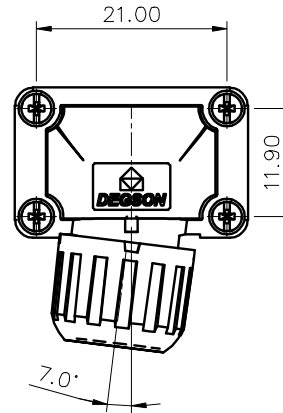
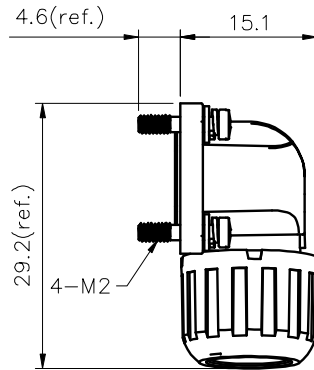
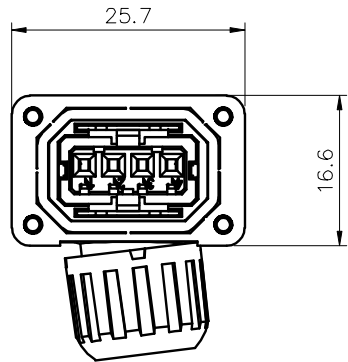


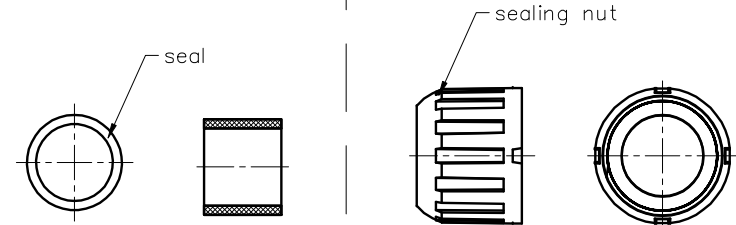
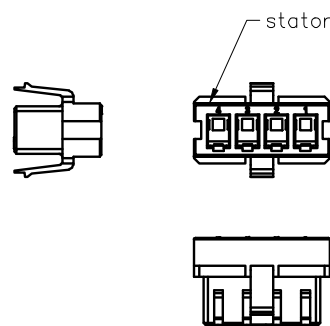
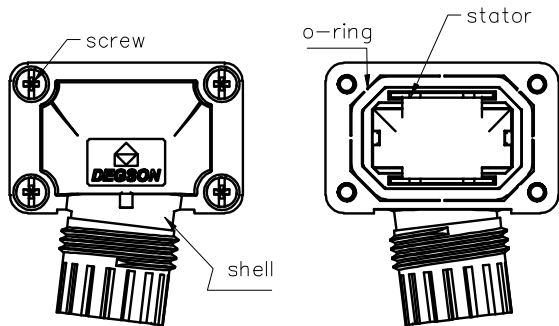
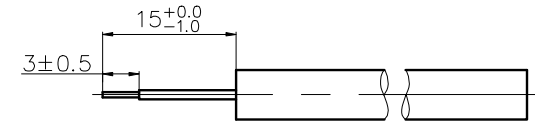
REVISION RECORD				
REV	ECN	DESCRIPTION	DRFT	DATE



NOTES:

- 1.Rated voltage/current : 250V / 7A
- 2.Insulation resistance: >100MΩ
- 3.Levels of protection: IP67
- 4.Insulation plastic: PA66
- 5.Operating temperature: -20°C~+105°C
- 6.Cable range $\phi 7.0 \sim \phi 8.3 \text{mm}$
- 7.RoHS Compliance
- 8.Tolerance: .x ± 0.25
.xx ± 0.1
 $\angle \pm 1^\circ$

剥线尺寸: Wire stripping:



DETACHED LISTS	PART NO.: 24030000005	宁波高科电子有限公司 NINGBO DEGSON ELECTRICAL CO., LTD		
	APPD:	NAME: DGFA4S-B1-00A(H)		
	CHKD:	TITLE: CUSTOMER DRAWING		
	DRFT: HD 2020.07.07	REV	TO	
 THIRD ANGLE PROJECTION		DRAWING NO.: DGFA4S-B1-C01	SHEET	1/1
		MM (INCH)	DO NOT SCALE DRAWING	SCALE 1:1