

REVISION RECORD				
REV	ECN	DESCRIPTION	DRFT	DATE

Technical characteristics:

Specifications

- DIN EN 60 664-1
- DIN EN 61 984

Approvals:

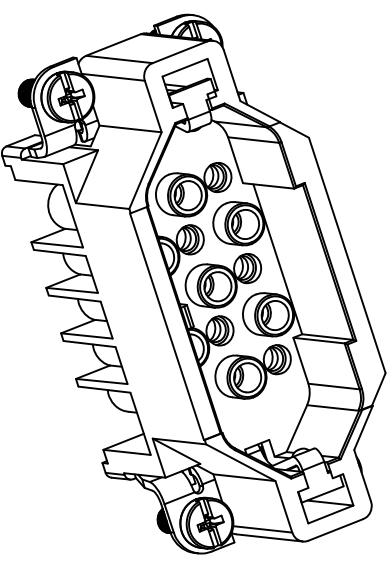
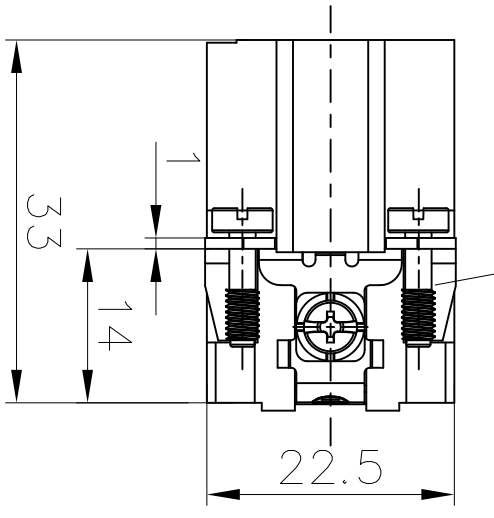
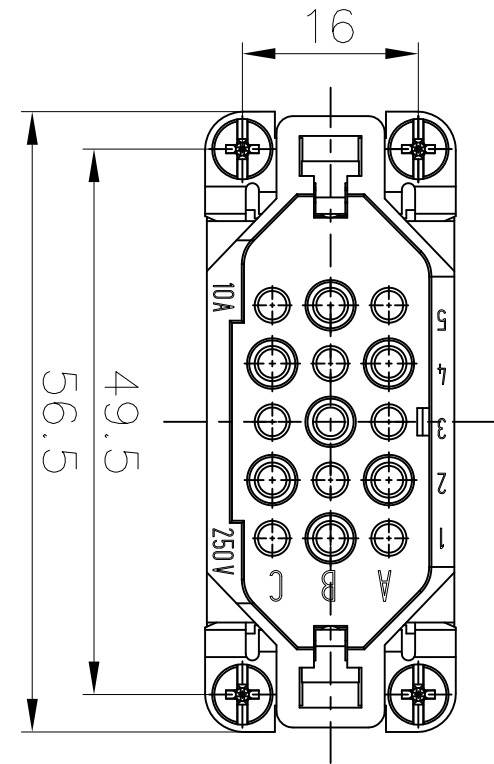
Inserts

01. Number of contacts :15+PE
02. Rated Current :10A
03. Rated Voltage :250V
04. Pollution degree :3
05. Rated impulse voltage :4kv¹⁰
06. Insulation resistance :≥10Ω
07. Material:Polycarbonate
08. Colour:RAL 7032 (light grey)
09. Rated voltage acc. to UL/CSA:600V
10. Limiting temperatures :-40℃~+125℃
11. Flammability acc. to UL94:V0
12. Mechanical working life (mating cycles) :≥500

Contacts

01. Material:Copper alloy
02. Surface:hard-silver plated
03. Contact resistance :≤3mΩ
04. Terminal :Crimp terminal
05. Wire gauge :0.14-2.5mm² (AWG 26-14)
06. Stripping length :6-8mm
07. Rohs Compliance

Note:Crimp contact pins should order separately



DETACHED LISTS			
PART NO.:	/	NINGBO DEGSON ELECTRICAL CO., LTD	
APPD:		DD-015-MC	
CHKD:		DD-015-MC-E01	
DRFT:	Mr. Yang 2016.07.25	REV	DO-1
DRAWING NO.:	DD-015-MC-E01	SHEET	1/1
THIRD ANGLE PROJECTION		DO NOT SCALE DRAWING	SCALE 1.5:1

A 8 7 6 5 4 3 2 1