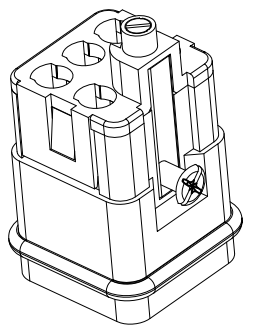
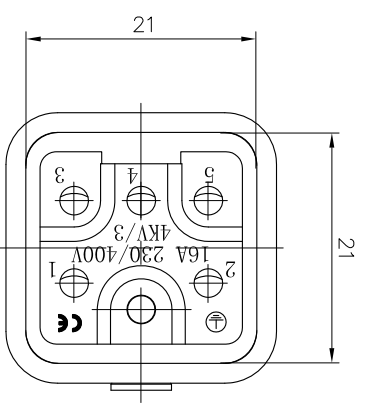
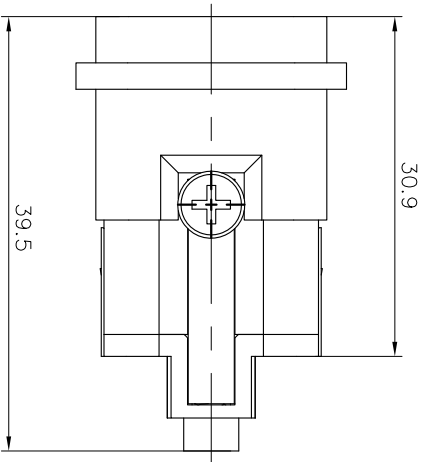
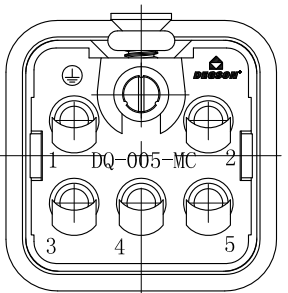


REVISION RECORD				
REV	ECN	DESCRIPTION	DRFT	DATE

Technical characteristics:
 Specifications
 DIN EN 60 664-1
 DIN EN 61 984

- Inserts**
- 01. Number of contacts :5+PE
 - 02. Rated Current :16A
 - 03. Rated Voltage conductor-ground:230V
 - 04. Rated Voltage conductor-conductor:400V
 - 05. Pollution degree :3
 - 06. Rated impulse voltage :4kv¹⁰
 - 07. Insulation resistance :≥10¹⁰Ω
 - 08. Material:Polycarbonate
 - 09. Rated voltage acc. to UL/CSA:600V
 - 10. Limiting temperatures :-40℃~+125℃
 - 11. Flammability acc. to UL94:V0
 - 12. Mechanical working life (mating cycles) :≥500

- Contacts**
- 01. Material:Copper alloy
 - 02. Surface:hard-Silver plated hard-Gold plated
 - 03. Contact resistance :≤1mΩ
 - 04. Terminal :Crimp terminal
 - 05. Wire gauge :0.14-2.5mm² (AWG 26-14)
 - 06. Stripping length :7.5mm
 - 07. Rohs Compliance
- Note:Crimp contact pins should order separately



DETACHED LISTS			
PART NO.:	/	NAME:	DEGSON® NINGBO DEGSON ELECTRICAL CO., LTD 宁波高松电子有限公司
APPD:		MODEL:	DQ-005-MC
CHKD:		TITLE:	CUSTOMER DRAWING
DRFT:	Mr. Yang 2016.09.25	DRAWING NO.:	DO NOT SCALE DRAWING
THIRD ANGLE PROJECTION		SCALE	1.5:1