

REVISION RECORD			
REV	ECN	DESCRIPTION	DRFT DATE

Technical characteristics:

Specifications
 DIN EN 60 664-1
 DIN EN 61 984

Inserts

- 01. Number of contacts :4/2+PE
- 02. Rated Current :80A/16A
- 03. Rated Voltage :690V/400V
- 04. Pollution degree :3
- 05. Rated impulse voltage :8kV¹⁰
- 06. Insulation resistance :≥10Ω
- 07. Material:Polycarbonate
- 08. Rated voltage acc. to UL/CSA:600V/300V
- 09. Limiting temperatures : -40℃~+125℃
- 10. Flammability acc. to UL94:V0
- 11. Mechanical working life (mating cycles) : ≥500

Contacts

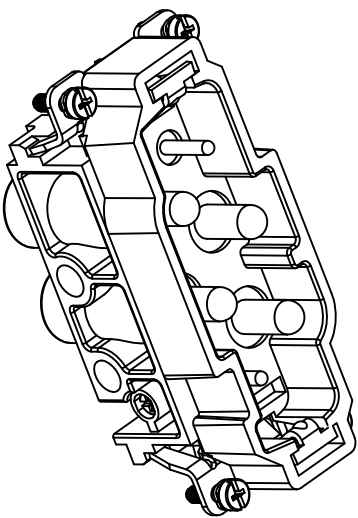
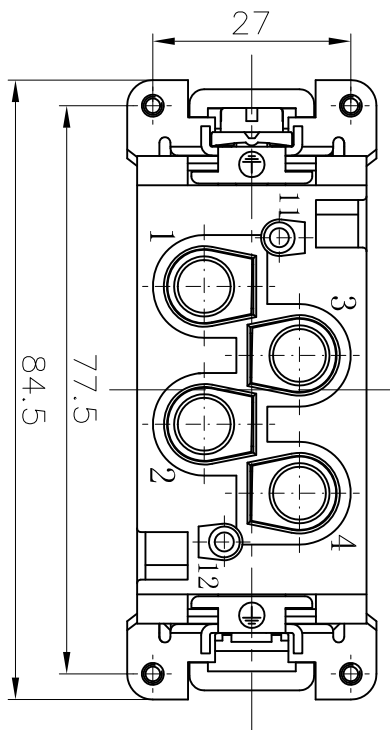
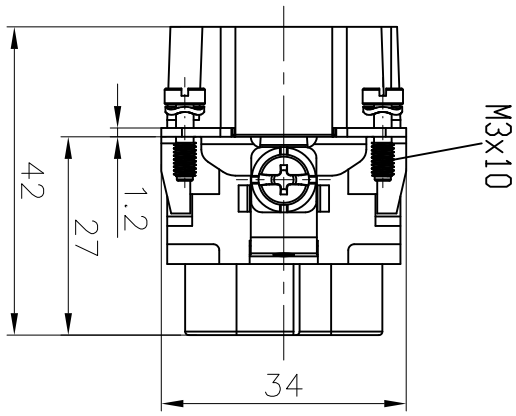
Power contacts

- 01. Material:Copper alloy
- 02. Surface:hard-silver plated
- 03. Contact resistance :≤0.3mΩ
- 04. Terminal :Screw terminal
- 05. Wire gauge :1.5-16mm² (AWG16-6)
- 06. Tightening torque :

mm ²	1.5	2.5	4	6	10	16
Nm	1.2	2	3	3	3	3
- 07. Stripping length :14mm

Signal contacts

- 01. Material:Copper alloy
- 02. Surface:hard-silver plated
- 03. Contact resistance :≤1mΩ
- 04. Terminal :Screw terminal
- 05. Wire gauge :0.5-2.5mm² (AWG20-14)
- 06. Tightening torque :0.5Nm
- 07. Stripping length :7.5mm
- 08. Rehs Compliance



DETACHED LISTS			
PART NO.:	/	NINGBO DEGSON ELECTRICAL CO., LTD 宁波高松电子有限公司	
APPD:			
CHKD:			
NAME:	DK-4/2-M	REV	DO-1
DRFT:	YONG 2016.07.28	TITLE:	CUSTOMER DRAWING
DRAWING NO.:	DK-4/2-M-E01	SHEET	1/1
THIRD ANGLE PROJECTION		DO NOT SCALE DRAWING	SCALE 1:1