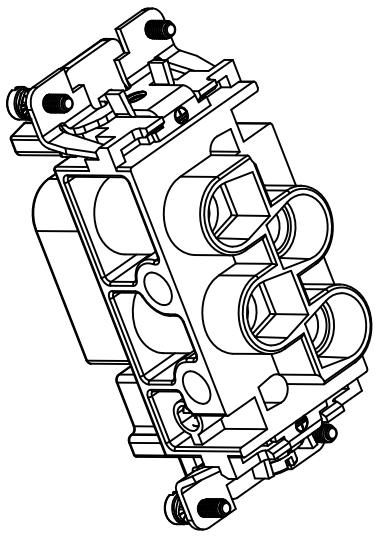
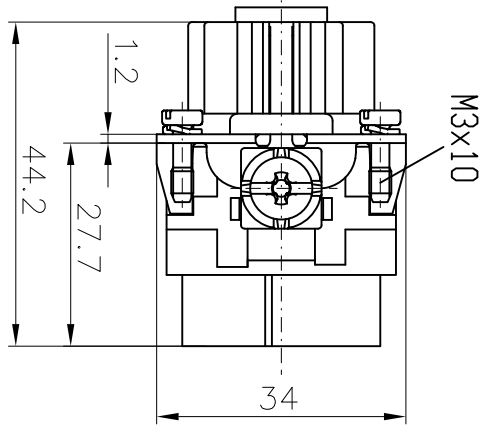
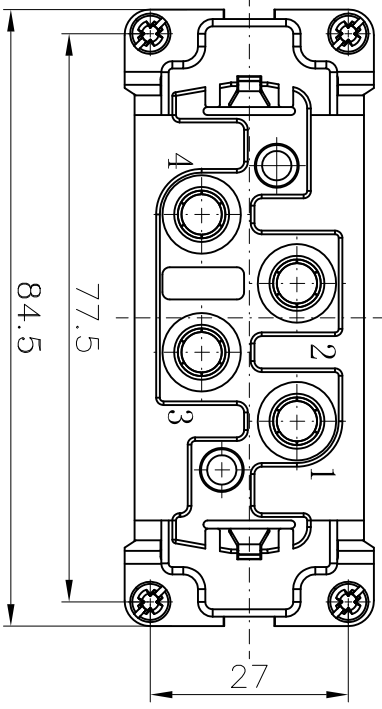


REVISION RECORD				
REV	ECN	DESCRIPTION	DRFT	DATE

Technical characteristics:

- Specifications
 DIN EN 60 664-1
 DIN EN 61 984
- Inserts
- 01. Number of contacts :4/2+PE
 - 02. Rated Current :80A/16A
 - 03. Rated Voltage :690V/400V
 - 04. Pollution degree :3
 - 05. Rated impulse voltage :8kV₁₀
 - 06. Insulation resistance :≥10Ω
 - 07. Material:Polycarbonate
 - 08. Rated voltage acc. to UL/CSA:600V/300V
 - 09. Limiting temperatures : -40℃~+125℃
 - 10. Flammability acc. to UL94:V0
 - 11. Mechanical working life (mating cycles) : ≥500



- Contacts
- Power contacts
- 01. Material:Copper alloy
 - 02. Surface:hard-silver plated
 - 03. Contact resistance :≤0.3mΩ
 - 04. Terminal :Screw terminal
 - 05. Wire gauge :1.5-16mm² (AWG16-6)
 - 06. Tightening torque :

mm ²	1.5	2.5	4	6	10	16
Nm	1.2	2	3	3	3	3
 - 07. Stripping length :14mm
 - 08. Rohns Compliance

DETACHED LISTS				
PART NO.:	/	NINGBO DEGSON ELECTRICAL CO.,LTD 宁波高松电子有限公司		
APPD:				
CHKD:				
DRFT:	YANG	2016.07.28	NAME:	DK-4/0-F
TITLE:	CUSTOMER DRAWING		REV	DO-1
DRAWING NO.:	DK-4/0-F-E01	SHEET	1/1	
THIRD ANGLE PROJECTION	DO NOT SCALE DRAWING		SCALE	1:1