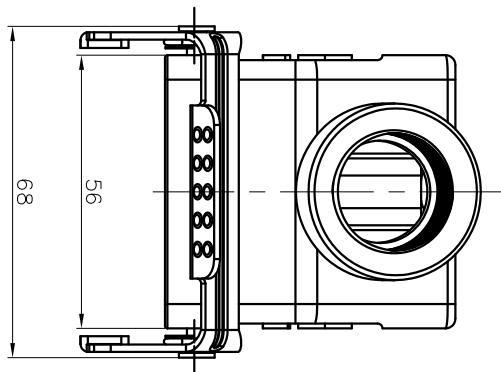
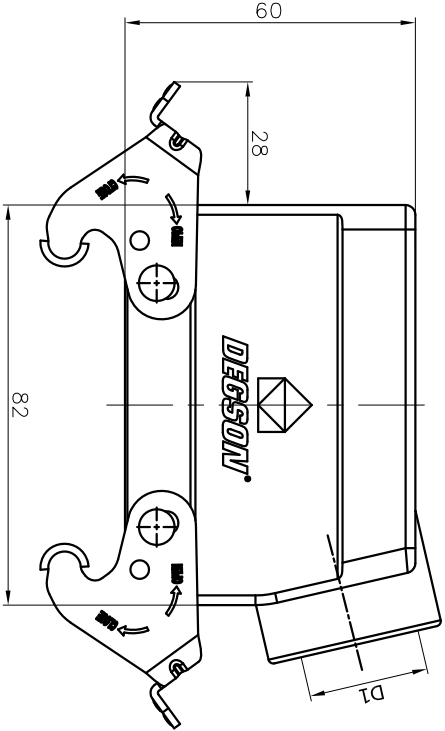
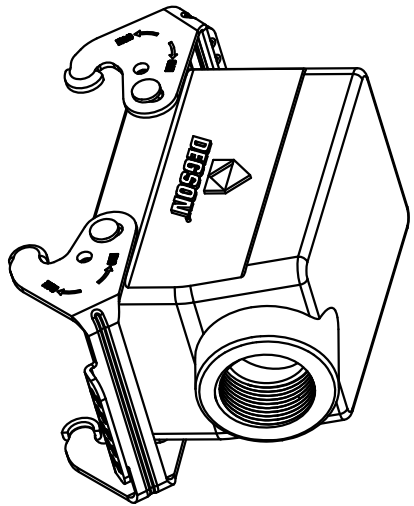


REVISION RECORD				
REV	ECN	DESCRIPTION	DRFT	DATE

TYPE	Thread(D1)	Selection
D32A-SE-2L-M25	M25	
D32A-SE-2L-PG21	PG21	



Hoods Feature

- 01. Material:Aluminium die-cast
- 02. Surface:Powder-coated
- 03. Color:grey (RAL 7037)
- 04. Material: Metal (Lever)
- 05. Limiting temperatures: -40℃~+125℃
- 06. Flammability acc to UL94:V0
- 07. Degree of protection acc. to EN60529 for coupled connector: IP65
- 08. Rohs Compliance

DETACHED LISTS			
PART NO.:		NAME:	DEGSON NINGBO DEGSON ELECTRICAL CO.,LTD 宁波高松电子有限公司
APPD:		TITLE:	CUSTOMER DRAWING
CHKD:		DRAWING NO.:	
DRFT:	Mr. yong 2016.08.15	REV	DO-1
THIRD ANGLE PROJECTION		DO NOT SCALE DRAWING	SCALE
			1:1.5