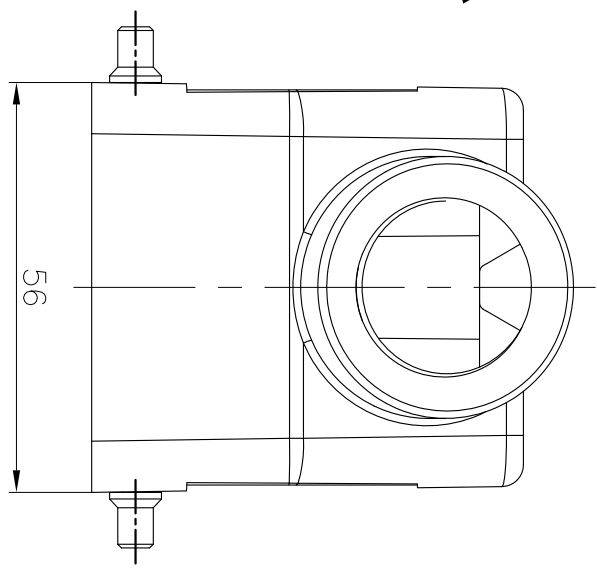
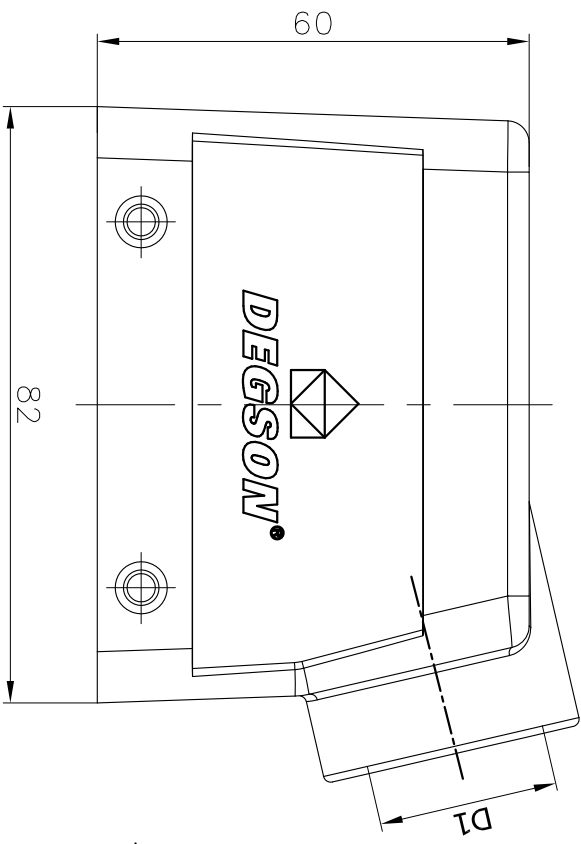
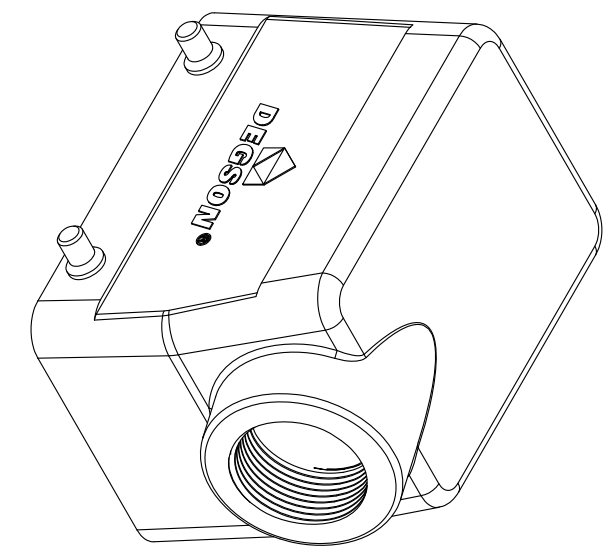


REVISION RECORD			
REV	ECN	DESCRIPTION	DATE

TYPE	Thread(D1)	Selection
D32A-SE-4g-M25	M25	
D32A-SE-4g-PG21	PG21	



- Hoods Feature
- 01. Material: Aluminium die-cast
 - 02. Surface: Powder-coated
 - 03. Color: grey (RAL 7037)
 - 04. Limiting temperatures: -40°C~+125°C
 - 05. Flammability acc to UL94: V0
 - 06. Degree of protection acc. to EN60529 for coupled connector: IP65
 - 07. Rohs Compliance

DETACHED LISTS			
PART NO.:		NAME:	DEGSON NINGBO DEGSON ELECTRICAL CO.,LTD 宁波高松电子有限公司
APPR:		TITLE:	D32A-SE-4g-M/PG CUSTOMER DRAWING
CHKD:		DRAWING NO.:	
DRFT:	Mr. yong 2016.08.15	REV	DO-1
THIRD ANGLE PROJECTION		SHEET	1/1
		DO NOT SCALE DRAWING	SCALE
			1:1

A 8 7 6 5 4 3 2 1