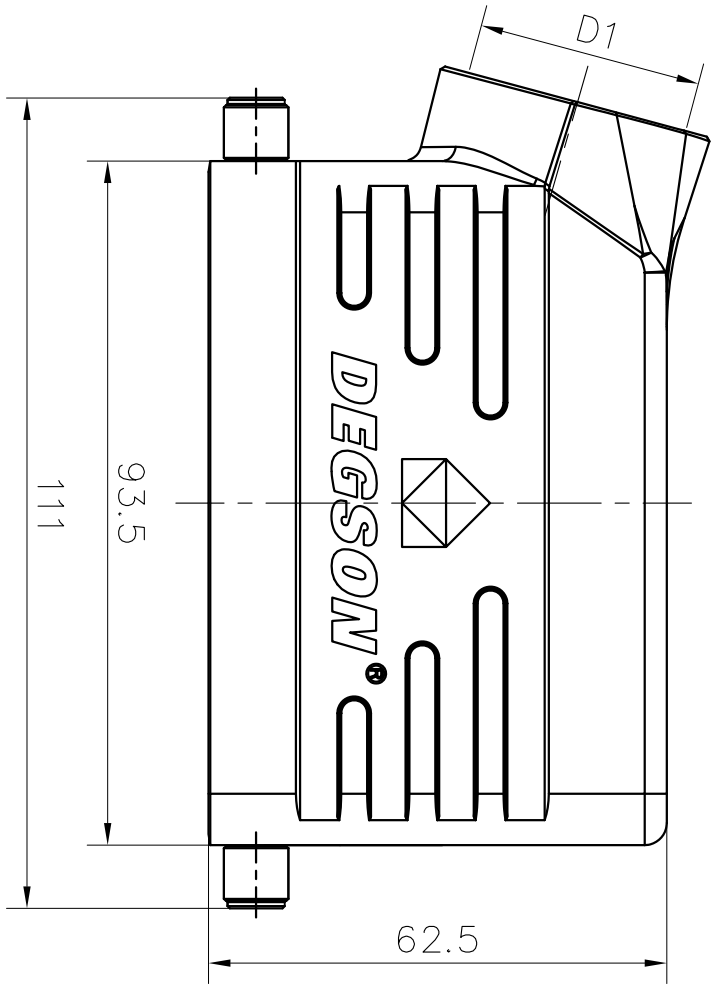
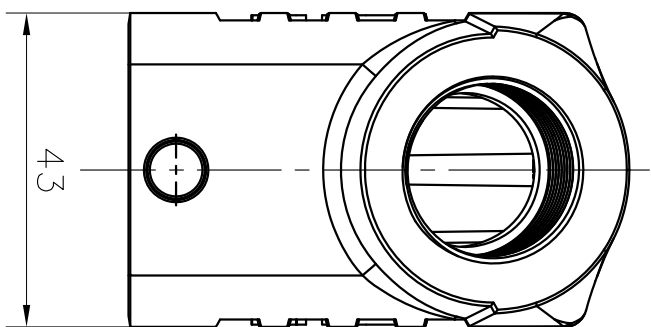
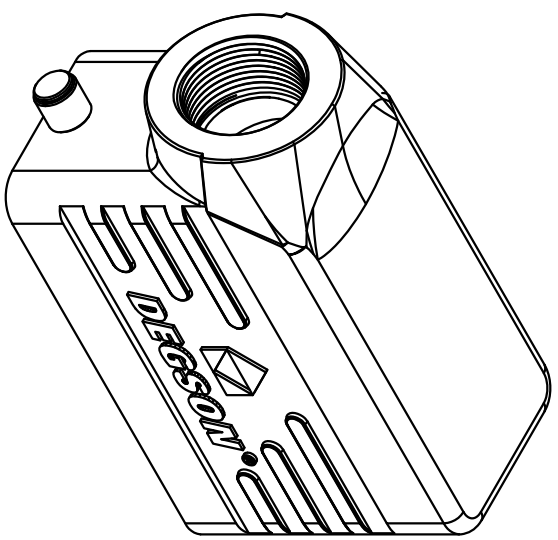


TYPE	Thread(D1)	Selection
D16B-SF-2g-M25	M25	
D16B-SF-2g-M32	M32	
D16B-SF-2g-PG21	PG21	

REVISION RECORD				
REV	ECN	DESCRIPTION	DRFT	DATE



**Hoods Feature**

1. Material: aluminium die-cast
2. Surface: Powder-coated
3. Color: grey (RAL 7037)
4. Limiting temperatures: -40°C ~ +125°C
5. Flammability acc to UL94: V0
6. Degree of protection acc. to EN60529 for coupled connector: IP65
7. Rohs compliance

DETACHED LISTS			
PART NO.:	/	NAME:	<b>DEGSON</b> 宁波高松电子有限公司 NINGBO DEGSON ELECTRICAL CO., LTD
APPD.:			D16B-SF-2g-M/PG
CHKD.:		TITLE:	CUSTOMER DRAWING
DRFT:	Mr. yding 2017/06/28	DRAWING NO.:	
		REV	DO-1
		SHEET	1/1
		SCALE	1:1



THIRD ANGLE PROJECTION

A 8 7 6 5 4 3 2 1