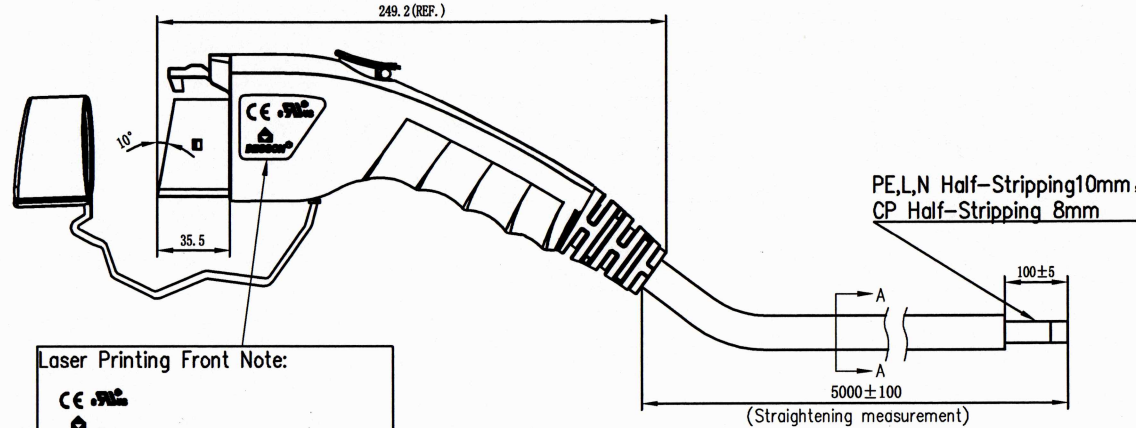
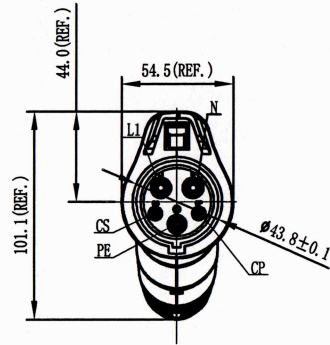
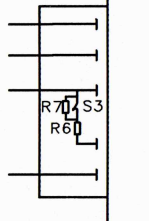


未注公差/General tolerances(mm)														
0	>3	>6	>10	>18	>30	>50	>80	>120	>180	>250	>315	>400	>500	0.1/10 ±2'
~	~	~	~	~	~	~	~	~	~	~	~	~	~	
±0.12	±0.18	±0.22	±0.26	±0.31	±0.37	±0.57	±0.80	±0.93	±1.05	±1.15	±1.60	±2.20	±2.50	



Wiring diagram

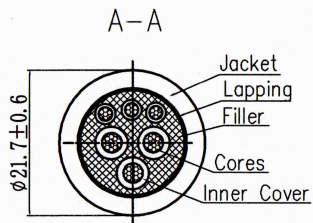
- L1 8AWG Brown
- N 8AWG Blue
- PE 8AWG Yellow/Green
- CS
- CP 18AWG Red



R6=150Ω±3%
R7=330Ω±3%

Laser Printing Front Note:

Laser Printing Back Note(Arial):
 MAAC-S-040A-V-03-5.0M-10AH
 40A 240V AC
 SAE J1772:2017
 Type 3S
 20xxxxxx-xxxx



额定电压电流/Rated Voltage/Current	240V AC/40A
绝缘电阻/Insulate Resistance	>100MΩ,500V DC 1min
耐压/Withstanding Voltage	L、N and PE ,2500V AC 1min L and N ,2500V AC 1min
防护等级/Ingress Protection	Type 3S
插拔寿命/Insertion/Pullout Times	10,000 Times
插拔力/Insertion/Pullout Force	<75N
使用温度范围/Operating temperature(°C)	-30~+50
线材规格/Cable specification	3*8AWG+3*18AWG Black
标准/Reference standard	SAE J1772:2017
符合RoHS环保要求/Conform to RoHS	Yes

		MATERIAL:	SURFACE/COLOR:	
MAT NO./REV: / 00		MAT STATUS:		
APPD: <i>Roger Zhou</i>	NAME: MAAC-S-040A-V-03-5.0M-10AH			
CHKD: <i>Dongji Zhou</i>				
DRPT: ZhouC	2023.04.18	DRAWING NO.	TYPE: CUSTOMER DRAWING	DRAWING STATUS
A4		SCALE: 1:6	SHEET 1/1	

REV	ECN	DESCRIPTION	DRFT	DATE

Transfer or duplication of this document as well as the utilization or communication of its contents are prohibited unless explicit authorization is granted. Violations will be liable for compensation. All rights reserved for patent, utility model, or designs registrations. 嚴禁擅自複製、轉售、翻印、仿製、利用、複製、或將本文件內容用於其他用途。未經本公司許可，嚴禁將本文件內容用於其他用途。本公司保留對涉及發明、實用新型和外觀專利的所有權利。