

REVISION RECORD			
REV	ECN	DESCRIPTION	DRFT DATE

Technical characteristics:

Specifications  
 DIN EN 60 664-1  
 DIN EN 61 984

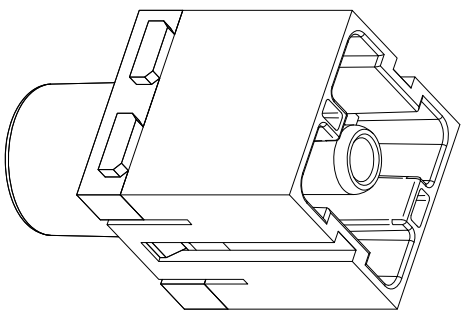
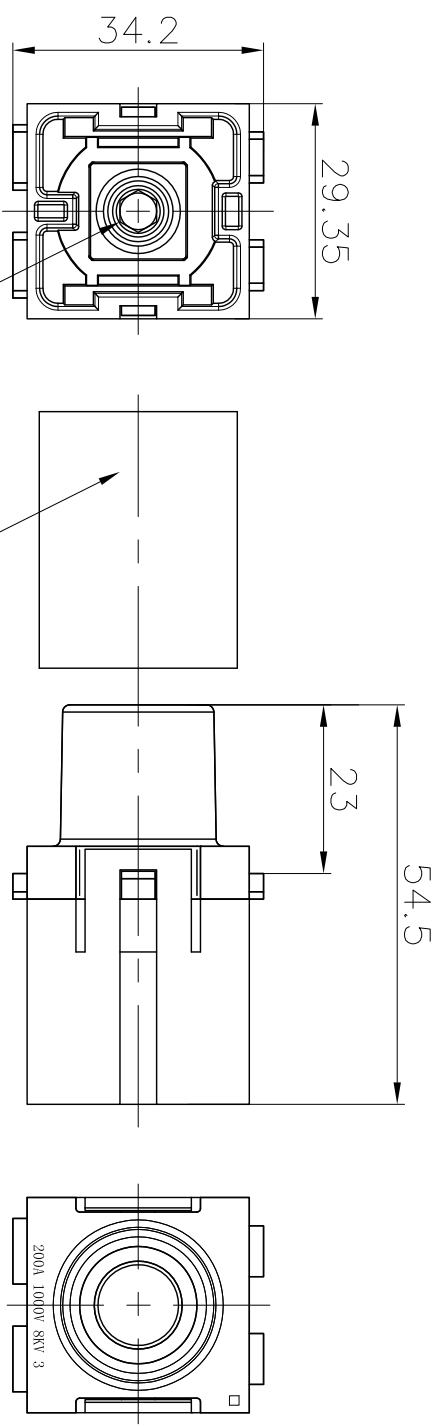
Inserts

- 01. Number of contacts : 1
- 02. Rated Current : 200A
- 03. Rated Voltage : 1000V
- 04. Pollution degree : 3
- 05. Rated impulse voltage : 8kV<sup>10</sup>
- 06. Insulation resistance : ≥10Ω
- 07. Material: Polycarbonate
- 08. Rated voltage acc. to UL/CSA: 600V
- 09. Limiting temperatures : -40°C~+125°C
- 10. Flammability acc. to UL94: V0
- 11. Mechanical working life (mating cycles) : ≥500

Contacts

- 01. Material: Copper alloy
- 02. Surface: hard-silver plated
- 03. Contact resistance : ≤0.2mΩ
- 04. Terminal : Axial screw terminal
- 05. Wire gauge : 25-40mm<sup>2</sup>
- 06. Tightening torque :  

mm <sup>2</sup>	25	35	50	70
Nm	8	8	9	10
- 07. Stripping Length : 16mm



A 8  
 B 7  
 C 6  
 D 5  
 E 4  
 F 3  
 G 2  
 H 1

DETACHED LISTS			
PART NO.:	/	NAME:	<b>DEGSON</b> ® NINGBO DEGSON ELECTRICAL CO., LTD 宁波高松电子有限公司
APPD:		TITLE:	CUSTOMER DRAWING
CHKD:		DRAWING NO.:	
DRFT:	Mr. Yang 2016.09.25	THIRD ANGLE PROJECTION	DO NOT SCALE DRAWING
REV	DO-1	SCALE	1:1