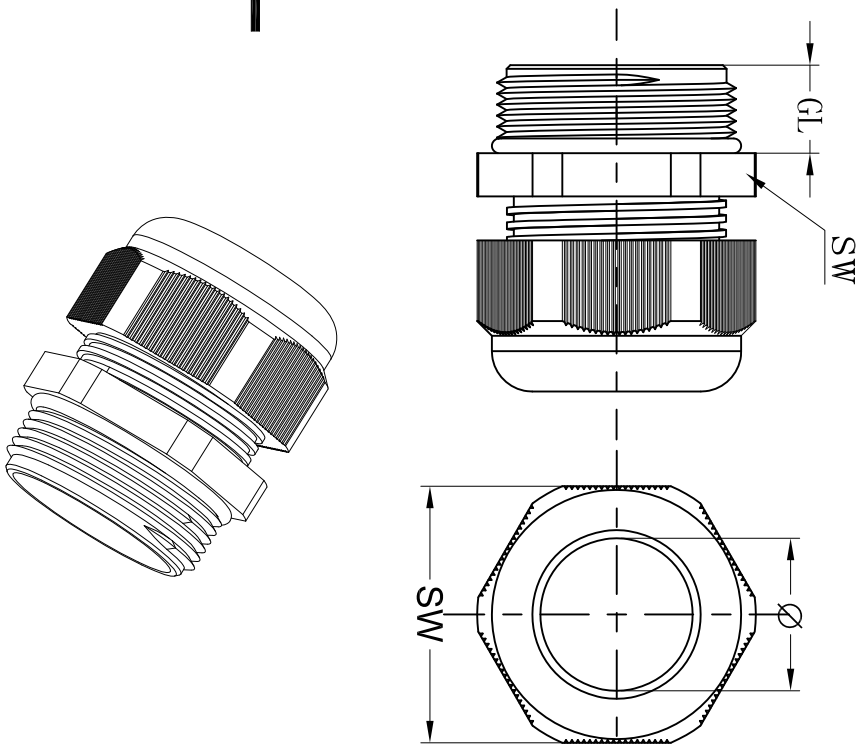


REVISION RECORD				
REV	ECN	DESCRIPTION	DRFT	DATE

Metric	PG	Claping range (∅)	SW	GL	Type
	Pg7	3-6.5	15.5	9	DDL-PG7P
	Pg9	4-8	19	9	DDL-PG9P
	Pg11	5-10	22	9	DDL-PG11P
	Pg13.5	6-12	24	9	DDL-PG13.5P
	Pg16	8-14	27	10	DDL-PG16P
	Pg21	13-18	33	12	DDL-PG21P
	Pg29	18-25	42	12	DDL-PG29P
	Pg36	22-32	52	16.5	DDL-PG36P
	Pg42	31-38	60	18	DDL-PG42P
M12x1.5		3-6.5	15.5	9	DDL-M12P
M16x1.5		4-8	19	9	DDL-M16P
M20x1.5		6-12	24	9	DDL-M20P
M25x1.5		11-15	31.5	12	DDL-M25P
M32x1.5		16-21	35	12	DDL-M32P
M40x1.5		22-32	52	16.5	DDL-M40P
M50x1.5		31-38	59.5	18	DDL-M50P
M63x1.5		37-44	65	15	DDL-M63P



Plastics Cable gland
 Material: Nylon
 Seal Material: NBR
 Degree of protection: IP68
 Temperature range: -40~100°C

PART NO.: /		NAME: DEGSON 宁波高松电子有限公司 NINGBO DEGSON ELECTRICAL CO., LTD	
APPD:		Plastics Cable gland	
CHKD:		TITLE: CUSTOMER DRAWING	
DRFT: Mr. Yang2016.08.18		DRAWING NO.:	REV
THIRD ANGLE PROJECTION		1/1	DO-1
		DO NOT SCALE DRAWING	SCALE