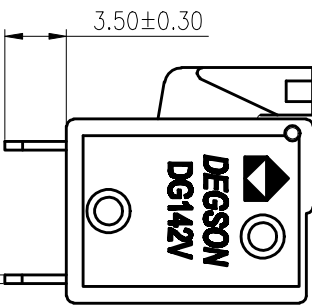
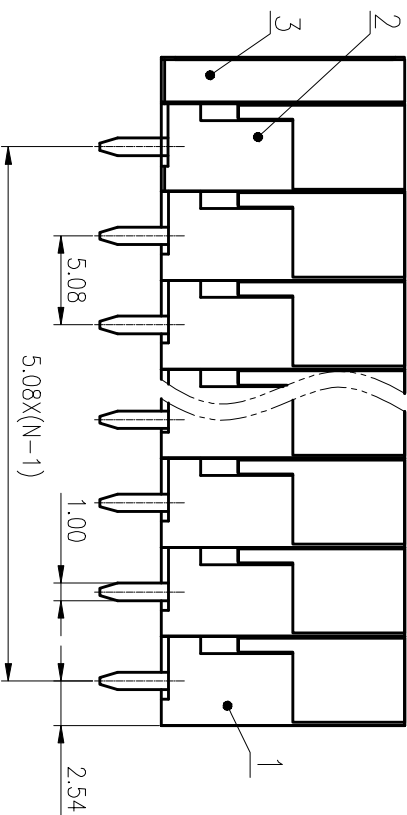
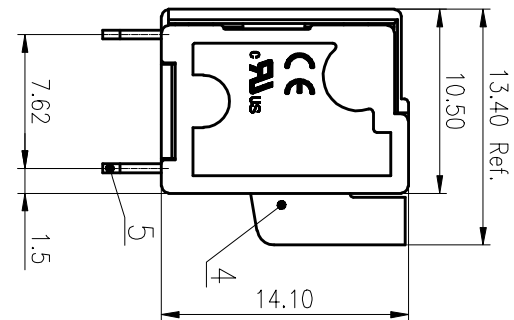
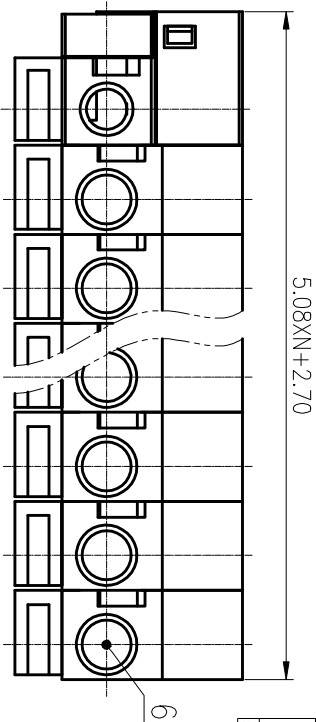
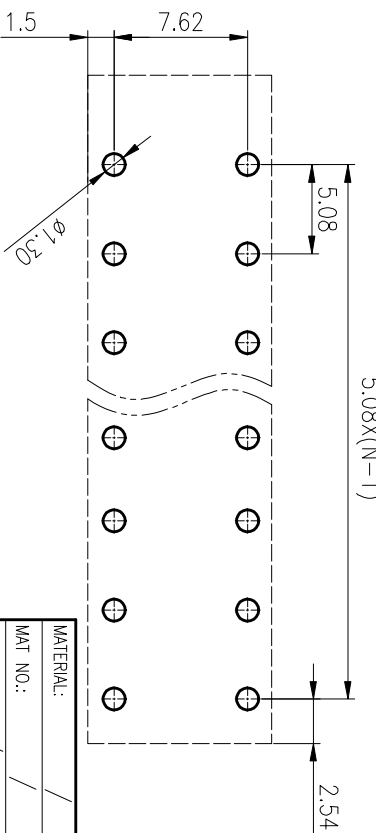


尺寸/公差 (mm)	0	>3	>6	>10	>18	>30	>50	>80	>120	>180	>250	>315	>400	>500	0.1/10
~	0	~	~	~	~	~	~	~	~	~	~	~	~	~	±Z
±0.12	±0.18	±0.22	±0.26	±0.31	±0.37	±0.57	±0.80	±0.93	±1.05	±1.15	±1.60	±2.20	±2.50		



PCB LAYOUT



ITEM	NAME OF PART	MATERIAL	NOTES
1	Housing1	PA66	UL94V-0
2	Housing2	PA66	UL94V-0
3	Cover	PA66	UL94V-0
4	Button	PA66	UL94V-0
5	Pin header	Copper alloy	Sn Plated
6	Spring	Stainless steel	/

REV	ECN	DESCRIPTION	DRFT	DATE
1				

MATERIAL: /	SURFACE: /
MAT NO.: /	
STATUS: /	
APPD: LiGL 2020.05.22	NAME: <b>DEGSON® NINGBO DEGSON ELECTRICAL CO., LTD</b>
CHKD: Mek 2020.05.22	<b>DG142V-5.08-XXP-1Y-1000A(H)</b>
DRFT: WWF 2014.10.31	DRAWING NO.: DG142V-5.08-C37
SIZE: A4	TYPE: CUSTOMER DRAWING
SCALE: 2.5:1	SCALE: 2.5:1 SHEET
	REV T2
	1/1

UL 标准/UL Standard:	B	C	D
额定电压/电涌/Rated Voltage(V)/Current(A)	300/10	300/10	300/10
IEC 标准/IEC Standard:			
过压类别/Overvoltage Category/污秽等级/ Pollution Degree	III/3	III/2	II/2
额定冲击电压 (KV)/Rate Impulse Voltage(KV)	320/15	320/15	630/12
额定短路电压 (KV)/Rate Impulse Voltage(KV)	4	4	4
线径范围 (硬线和软线)/Wire Range(rigid and flexible)(mm² /AWG)	0.2~1.5/22~16		
间距/Pitch(mm)/线数范围/Poles	5.08 /N=01~24P		
剥线长度/Stripping length(mm)	10		
使用温度范围/Operating Temperature(°C)	-40~+105		
符合RoHS要求/Conform to RoHS	Yes		
标准颜色编号/Standard color number:	/		
PANTONE / RAL	/		