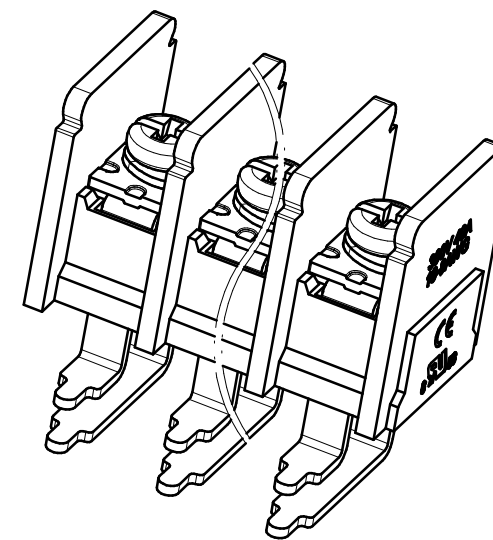
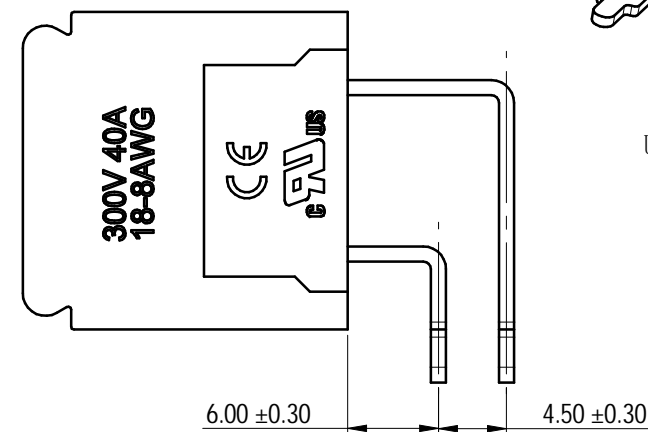
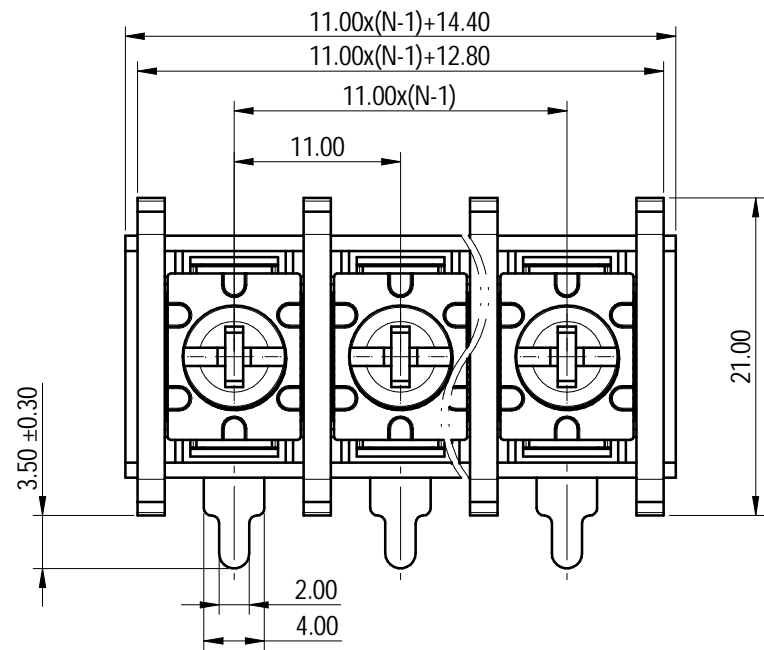
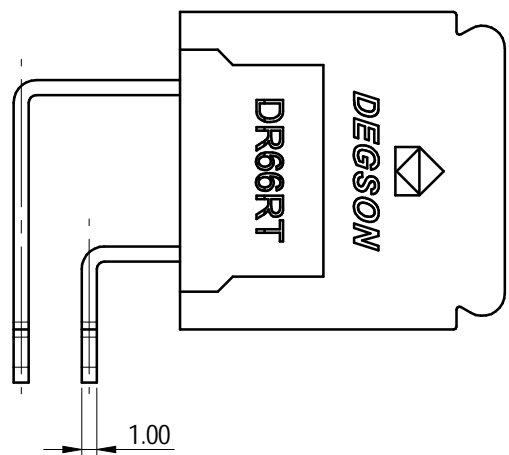
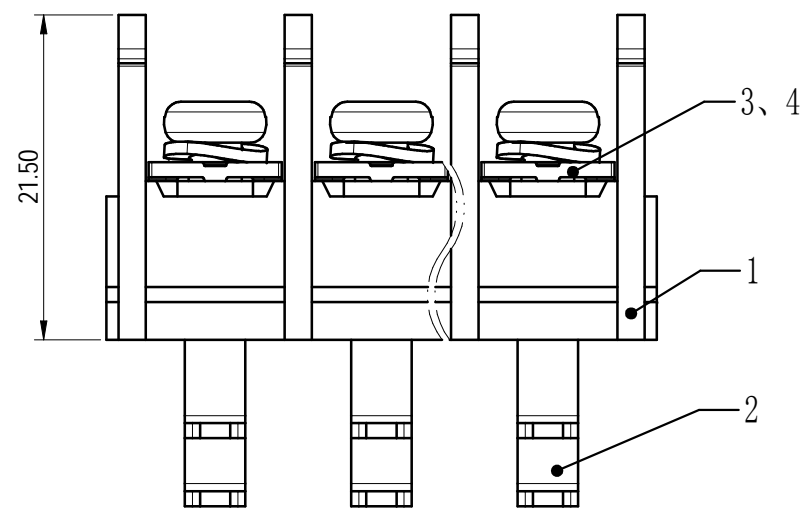
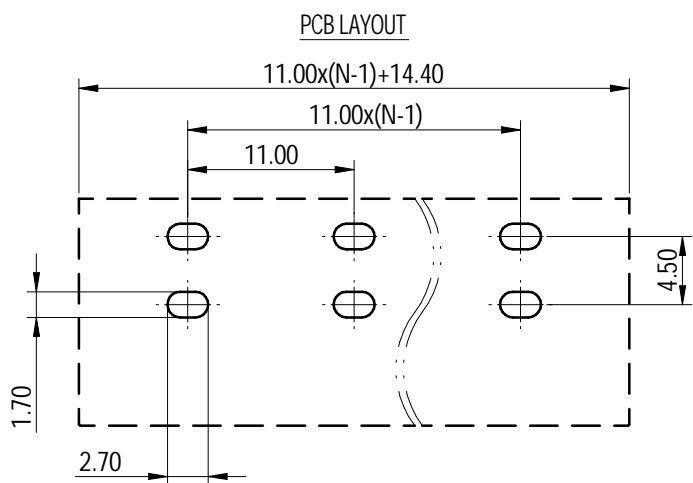


未注公差/General tolerances (mm)													0.1/10 ±2'													
0	>3	>6	>10	>18	>30	>50	>80	>120	>180	>250	>315	>400		±0.12	±0.18	±0.22	±0.26	±0.31	±0.37	±0.57	±0.80	±0.93	±1.05	±1.15	±1.60	±2.20
~3	~6	~10	~18	~30	~50	~80	~120	~180	~250	~315	~400	~500														



Unmarked dimensions refer to 3D model



Notes: The A&Z(H) in the name means:A(H) and Z(H)

ITEM	NAME OF PART	MATERIAL	NOTES
4	Nut	Steel	M4/Zn plated
3	screw	Steel	M4/Ni plated
2	Pin_header	Copper alloy	Sn plated
1	Housing	PA66+GF	UL94V-0
UL 标准/UL Standard:			B C D
额定电压/电流/Rated Voltage(V)/Current(A)			300/40 300/40 300/10
IEC 标准/IEC Standard:			
额定电压/电流/Rated Voltage(V)/Current(A)			750/32
螺丝扭矩/Torque Tightening(N·m/Lb.in)			M4, 1.7/15.0
线径范围(硬线和软线)/Wire Range(rigid and flexible)(AWG)			18~8/4
间距/Pitch(mm)/线数范围/Poles			11.00/N=02~24P
使用温度范围/Operating temperature(°C)			-40~+105
符合RoHS环保要求/Conform to RoHS			Yes

DEGSON		MATERIAL: /	SURFACE/COLOR: /		
APPD: 蓝贵凡 2022.12.02		MAT NO./REV: /	MAT STATUS: 批量		
CHKD: 曹利彬 2022.12.02		NAME			
DRFT: 汪德荣 2022.12.02		DG66RT-XXP-1Y-00A&Z(H)			
00	/	/	汪德荣	2022.12.02	
REV	ECN	DESCRIPTION	DRFT	DATE	
			A3	(inch)	
DRAWING NO. 200106749		TYPE CUSTOMER DRAWIGN	DRAWING STATUS 已发布	SCALE 1:1	SHEET 1/1

Transfer or duplication of this document as well as the utilization or communication of its contents are prohibited unless explicit authorization is granted. Violations will be liable for compensation. All rights reserved for patent. 复制或再行使用本文件以及其内容之利用或沟通均须经本公司明确授权，否则将承担法律责任。本公司保留所有权利。