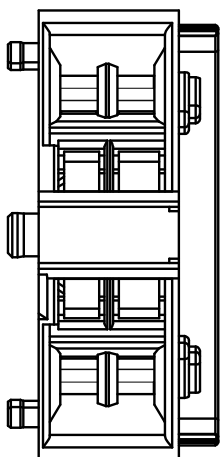
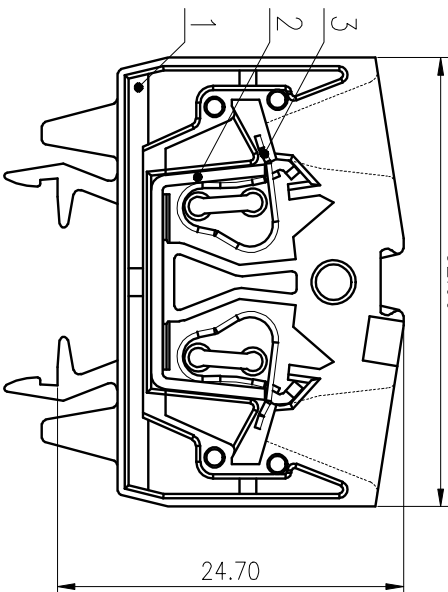


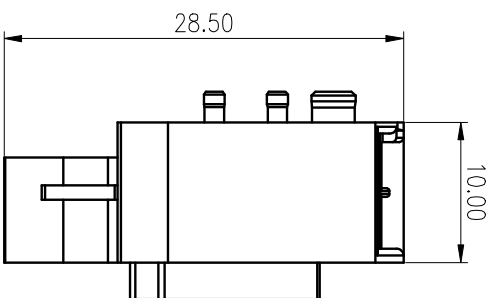
公差等级/General Tolerances(mm)		公差等级/General Tolerances(mm)										公差等级/General Tolerances(mm)		
0	>3	>6	>10	>18	>30	>50	>80	>120	>180	>250	>315	>400	>500	0.1/1/10
~	~	~	~	~	~	~	~	~	~	~	~	~	~	±Z
3	6	10	18	30	50	80	120	180	250	315	400	500	>500	±Z
± 0.12 ± 0.18 ± 0.22 ± 0.26 ± 0.31 ± 0.37 ± 0.57 ± 0.80 ± 0.93 ± 1.05 ± 1.15 ± 1.60 ± 2.20 ± 2.50														



32.00

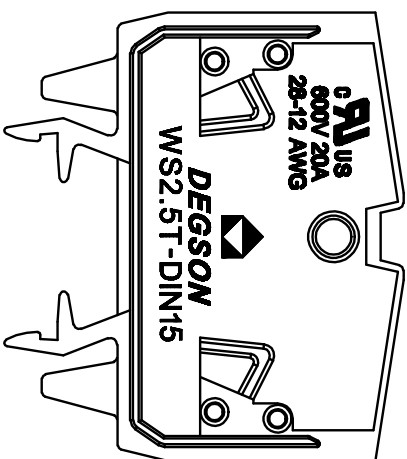


24.70



28.50

10.00



ITEM	NAME OF PART	MATERIAL	NOTES
3	Spring	Stainless steel	/
2	Current carrier	Copper	Sn Platte
1	Housing	PA66	UL94V-0

REV	ECN	DESCRIPTION	DRAFT	DATE
1				
2				
3				

MATERIAL:	/	SURFACE:	/
MAT NO.:	/		
STATUS:	/		
APPD:	LI QL 2020.05.29	NAME:	WS2.5T-DIN15-01P-1Y-00A(H)
CHKD:	Moo J 2020.05.29	DRAWING NO.:	WS2.5T-DIN15-C01
DRAFT:	ZhengQG 2020.05.29	TYPE:	CUSTOMER DRAWING
SIZE:	A4	SCALE:	2:1
	(mm)		SHEET
	(inch)		1/1

UL 标准/UL Standard:	B	C	D
额定电压/电涌/Rated Voltage(V)/Current(A)	600/20	600/20	600/5
IEC 标准/IEC Standard:			
过压类别/Overvoltage Category/污染等	III/3	/	/
绝缘/Pollution Degree			
额定电压/电涌/Rated Voltage(V)/Current(A)	800/24	/	/
额定电涌电压(KV)/Rate Impulse Voltage(KV)	8	/	/
线径范围(硬线和软线)/Wire Range(rigid and flexible)(mm ² /AWG)	0.2~2.5/28~12(Sol)		
间距/Pitch(mm)	10.0		
剥线长度/Stripping length(mm)	8~9		
使用温度范围/Operating Temperature(°C)	-40~+105		
符合RoHS环保要求/Conform to RoHS	Yes		
标准颜色编号/Standard color number:			
PANTONE / RAL	/		

DEGSON 宁波高松电子有限公司
NINGBO DEGSON ELECTRICAL CO., LTD