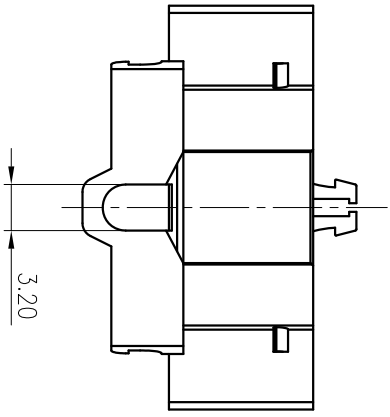
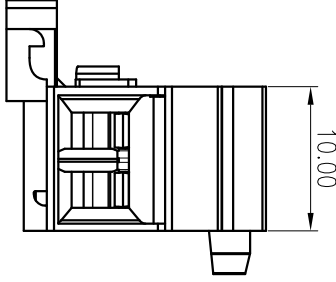
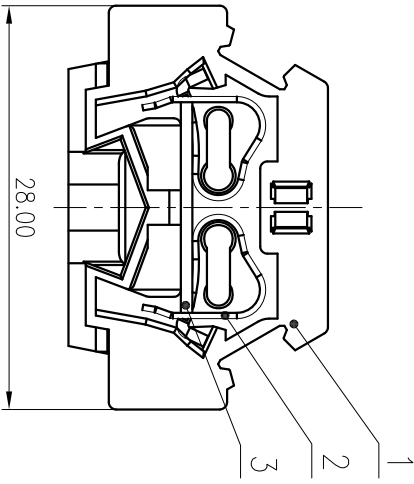
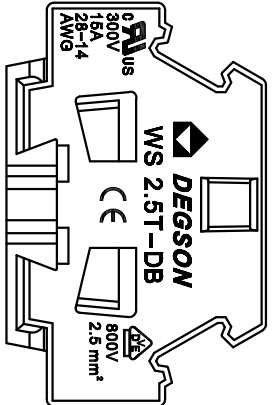
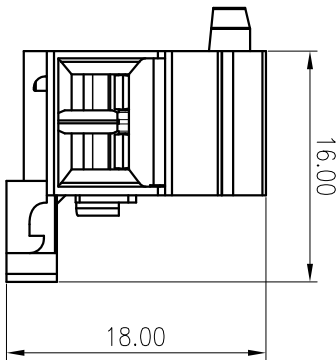
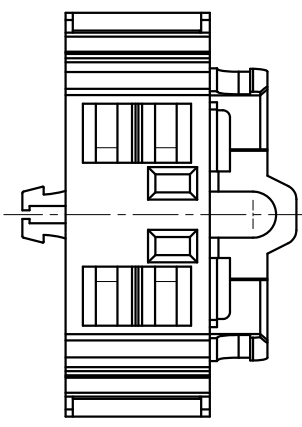


公差表 (General Tolerances)(mm)	
0	>18
>3	>18
>6	>18
>10	>18
>18	>30
>30	>50
>50	>80
>80	>120
>120	>180
>180	>250
>250	>315
>315	>400
>400	>500
>500	>800
0.1/10	
±0.12 ±0.18 ±0.22 ±0.26 ±0.31 ±0.37 ±0.57 ±0.80 ±0.93 ±1.05 ±1.15 ±1.50 ±2.20 ±2.50	
±0.2	



3	Current Carrier	Copper	Sn plated
2	Shrapnel	Stainless steel	
1	Housing	PA66	UL94V-0
ITEM	NAME OF PART	MATERIAL	NOTES

UL 标准 / UL Standard:		B	C	D
额定电压 / Rated Voltage(V) / Current(A)		300/15	300/15	300/10
EC 标准 / EC Standard:				
过压类别 / Overvoltage Category / 污染等级 / Pollution Degree		III/3		
额定电压 / 电流 / Rated Voltage(V) / Current(A)		800/24		
额定脉冲电压 (KV) / Rate Impulse Voltage(KV)		8.0		
线径范围 (硬线和软线) / Wire Range (rigid and flexible)(mm ² / AWG)		0.2~2.5 / 28~14		
间距 / Pitch (mm)		10.0		
剥线长度 / Stripping length (mm)		8-9		
使用温度范围 / Operating temperature (°C)		-40~+105		
符合RoHS环保要求 / Conform to RoHS		Yes		
标准颜色编号 / Standard color number:		/		
PANTONE / PANTONE		/		

MATERIAL: SURFACE:

MAT NO.: /
STATUS: /
APPD: Li GL 2020.04.04
CHKD: Mao J 2020.04.04

NAME: **DEGSON** 宁波高松电子有限公司
NINGBO DEGSON ELECTRICAL CO., LTD

DRAWING NO.: WS 2.5T-DB-C01
TYPE: CUSTOMER DRAWING
SCALE: 2:1 SHEET 1/1

REV	ECN	DESCRIPTION	DRT	DATE
1				
2				
3				

REV	ECN	DESCRIPTION	DRT	DATE
1				
2				
3				

SIZE: A4 (mm) (inch)