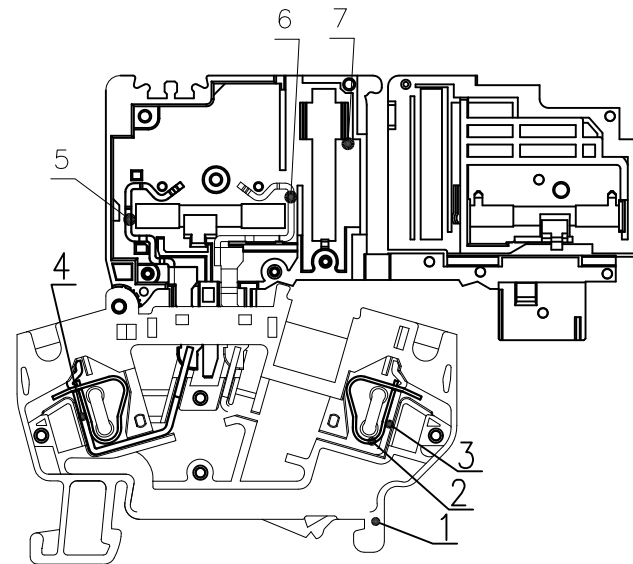
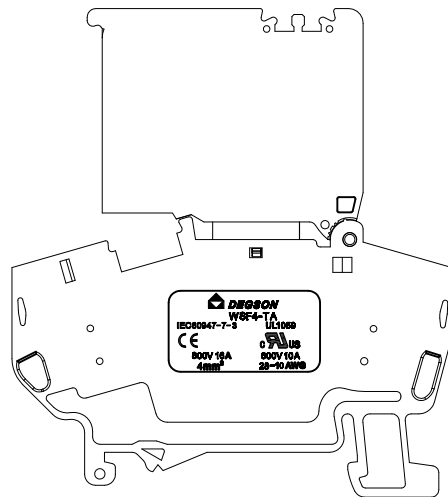
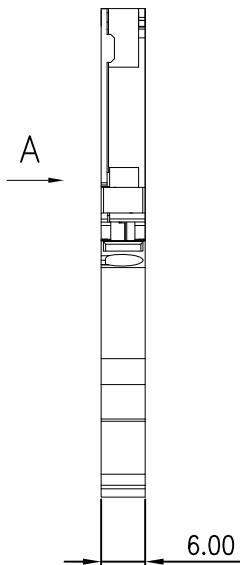
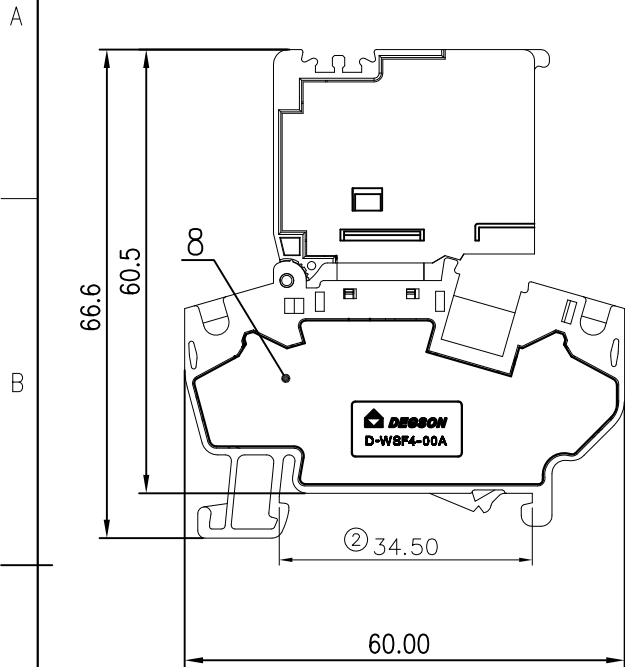


未注公差/General tolerances(mm)											0.1/10			
0	>3	>6	>10	>18	>30	>50	>80	>120	>180	>250		>315	>400	>500
±0.12	±0.18	±0.22	±0.26	±0.31	±0.37	±0.57	±0.80	±0.93	±1.05	±1.15	±1.60	±2.20	±2.50	±2'



A Direction
(W/O Cover)

ITEM	NAME OF PART	MATERIAL	NOTES
8	Cover	PA66	UL94V-0
7	Fuse Housing	PA66	UL94V-0
6	Current carrier 4	Copper	Sn Plated
5	Current carrier 3	Copper	Sn Plated
4	Current carrier 2	Copper	Sn Plated
3	Current carrier 1	Copper	Sn Plated
2	Spring	Stainless steel	
1	Housing	PA66	UL94V-0

JL 标准/UL Standard:	B	C	D
额定电压/电流/Rated Voltage(V)/Current(A)	600/	600/	600/5
IEC 标准/IEC Standard:			
过压类别/Overvoltage Category/污染等级/Pollution Degree	III/3	/	/
额定电压/电流/Rated Voltage(V)/Current(A)	800/	/	/
额定脉冲电压(KV)/Rate Impulse Voltage(KV)	8.0	/	/
线径范围(硬线和软线)/Wire Range(rigid and flexible)(mm ² /AWG)	0.2~4/28~10		
间距/Pitch(mm)	6.0		
保险丝/电流Fuse/Current(A)	ø5x20mm /6.3A		
剥线长度/Stripping length(mm)	10~12		
使用温度范围/Operating temperature(°C)	-40~+105		
符合RoHS环保要求/Conform to RoHS	Yes		
标准颜色编号/Standard color number: PANTONE / RAL	/		

MATERIAL: /	SURFACE: /		
MAT NO.: /	宁波高松电子有限公司 NINGBO DEGSON ELECTRICAL CO., LTD		
STATUS: /			
APPD:	NAME: WSF4-TA-01P-1Y-00A(H)		
CHKD:			
DRFT: LZH 2015.11.20	DRAWING NO.: WSF4-TA-C01	REV	T0-1
SIZE: A4	TYPE: CUSTOMER DRAWING	SCALE: 1:1	SHEET 1/1

REV	ECN	DESCRIPTION	DRFT	DATE