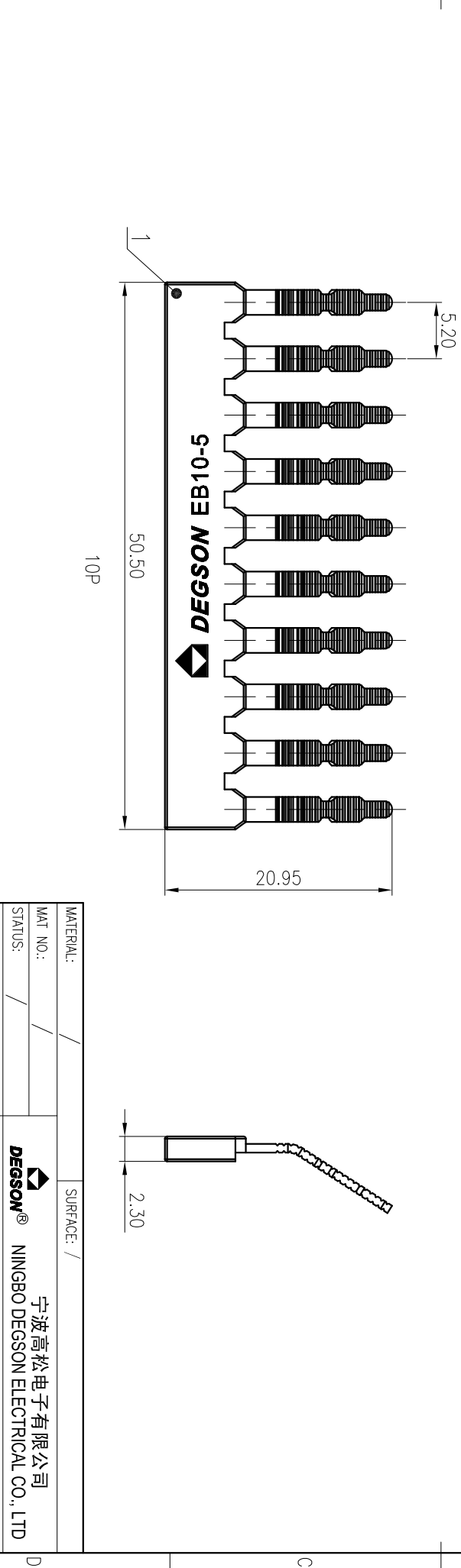
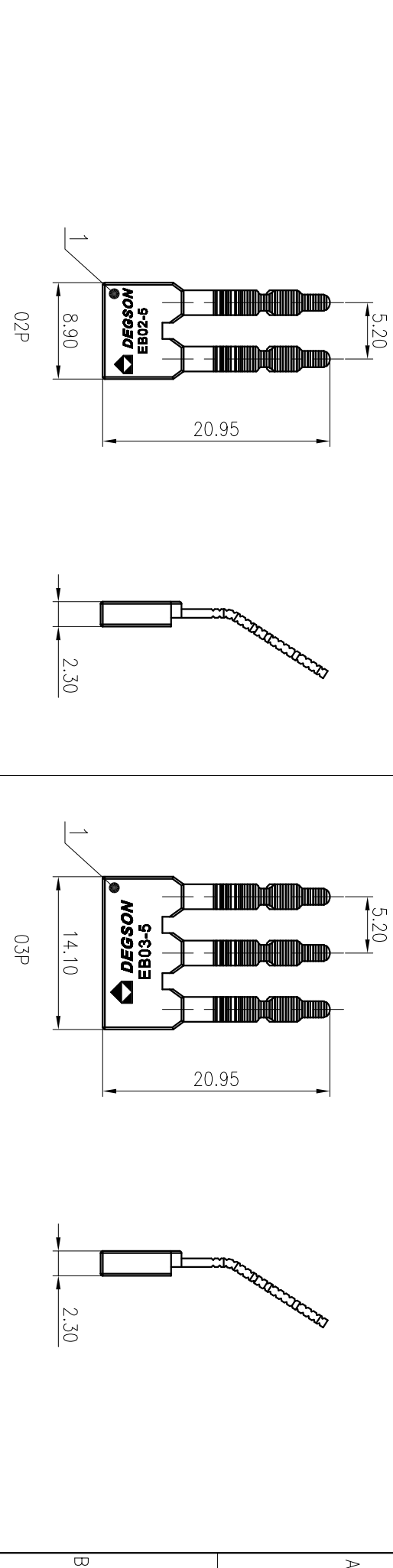


A		B		C		D	
0		>3		>6		>10	
3		6		10		18	
50		80		120		180	
250		315		400		500	
630		800		1000		1250	
1600		2000		2500		3150	
4000		5000		6300		8000	
10000		12500		16000		20000	
50		100		200		500	
1		2		5		10	
20		50		100		200	
500		1000		2000		5000	
0.1/10		±2					



1	Bridge		
ITEM	NAME OF PART	MATERIAL	NOTES
		5.2/N=02P,0.3P,10P	
	前置/Pitch(mm)/线数范围/Poles		
	使用温度范围/Operating temperature(°C)	-40~+105	
	符合RoHS环保要求/Conform to RoHS	Yes	
REV	ECN	DESCRIPTION	DRAFT DATE

MATERIAL: /		SURFACE: /	
MAT NO.: /		NINGBO DEGSON ELECTRICAL CO., LTD	
STATUS: /		NAME: 宁波高松电子有限公司	
APPD: LI GL 2020.06.10		DRAWING NO.: EBXX-5-01	
CHKD: Mao J 2020.06.10		SCALE: 2:1	
DRT: Chen K 2020.06.03		TYPE: CUSTOMER DRAWING	
SIZE: A4	(mm)	(inch)	REV
			T0
			1/1
			SHEET

EBXX-5-1Y-00A(H)