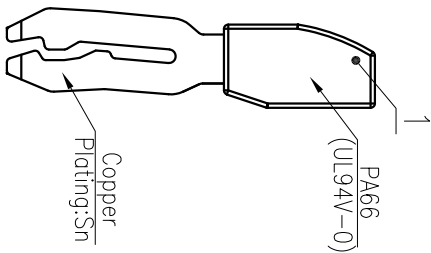
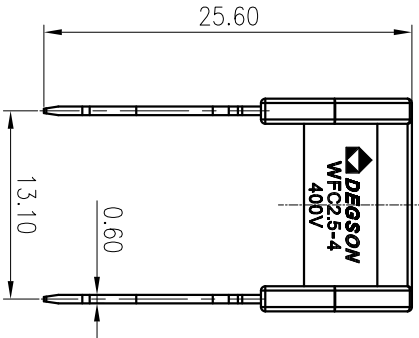
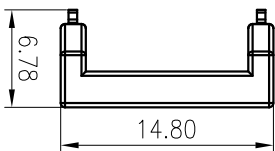


标注公差/General tolerances(mm)		0	>3	>6	>10	>18	>30	>50	>80	>120	>180	>250	>315	>400	>500	0.1/1/10
±0.12	±0.18	±0.22	±0.26	±0.31	±0.37	±0.57	±0.80	±1.05	±1.15	±1.50	±2.20	±2.50	±2.50	±2.50	±2.50	±2



ITEM	NAME OF PART	MATERIAL	NOTES
1	WFC2.5-4-01P-1Y-00A(H)		

间距/Pitch(mm)/线数范围/Poles: 13.10/01P
 使用温度范围/Operating temperature(°C): -40~+105
 符合RoHS环保要求/Conform to RoHS: Yes

MATERIAL: SURFACE:

MAT NO.: /
 STATUS: /
 APPD: L J GL 2020.06.06
 CHKD: Mao J 2020.06.06
 DRFT: Feng X 2020.05.26

NAME: **DEGSON** 宁波高松电子有限公司
 NINGBO DEGSON ELECTRICAL CO., LTD

DRAWING NO.: WFC2.5-4-C01
 TYPE: CUSTOMER DRAWING
 SCALE: 4:1
 REV: TO
 SHEET: 1/1

REV	ECN	DESCRIPTION	DRFT	DATE

SIZE: A4
 (mm)
 (inch)