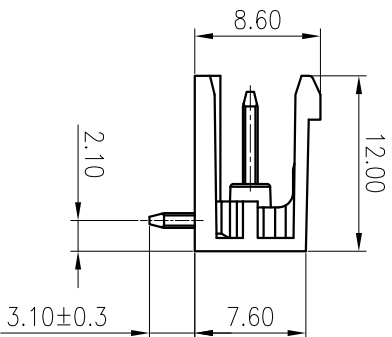
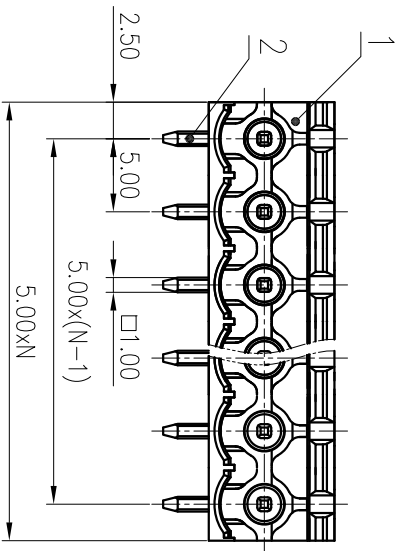
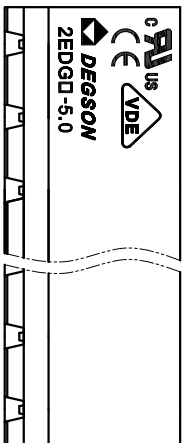
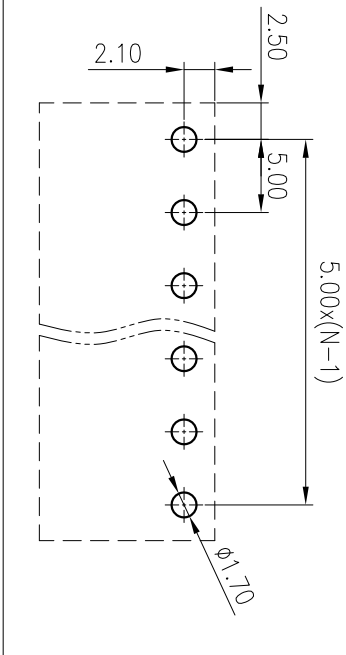


PCB LAYOUT



公差/General tolerances(mm)		公差/General tolerances(mm)	
0	>3	>18	>30
~	>6	>10	>50
3	~	~	~
6	10	30	50
10	18	30	50
18	30	50	80
30	50	80	120
50	80	120	180
80	120	180	250
120	180	250	315
180	250	315	400
250	315	400	500
315	400	500	>500
400	500	>500	0.1/10
>500	>500	>500	±2'

ITEM	NAME OF PART	MATERIAL	NOTES
2	Pin	Copper	Sn Plated
1	Housing	PA66	UL94V-0

UL Standard:	B	C	D
UL 标准/UL Standard:	B	C	D
额定电压/Rated Voltage(V)/Current(A)	300/15	/	300/10
IEC 标准/IEC Standard:	300/15	/	300/10
过压类别/Overvoltage Category/污染等	III/3	III/2	II/2
级/ Pollution Degree	III/3	III/2	II/2
额定电压/电涌/Rated Voltage(V)/Current(A)	/	/	320/20
额定脉冲电压(KV)/Rate Impulse Voltage(KV)	/	/	4
可距/Pitch(mm)/线数范围/Poles	5.0/N=02~24P		
使用温度范围/Operating Temperature(°C)	-40~+105		
符合RoHS环保要求/Conform to RoHS	Yes		

MATERIAL: / SURFACE: /

MAT NO.: /  
 STATUS: /  
 APPD: LanChH 2020.05.13  
 CHKD:GongYzh 2020.05.13  
 DRT: YindK 2020.05.13

NAME: **DEGSON** 宁波高松电子有限公司  
 NINGBO DEGSON ELECTRICAL CO., LTD

DRAWING NO.: 10001958  
 TYPE: CUSTOMER DRAWING  
 SCALE: 2:1  
 SHEET 1/1

REV	ECN	DESCRIPTION	DRT	DATE	SIZE	SCALE	SHEET
					A4	2:1	1/1

1 2 3 4 5 6