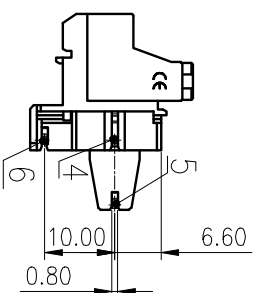
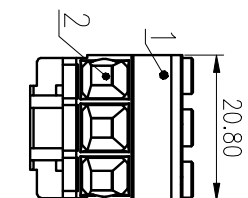
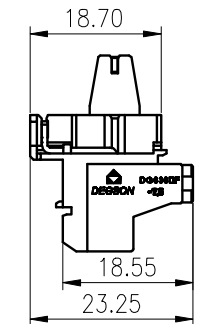
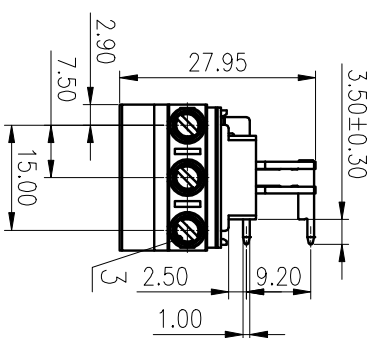
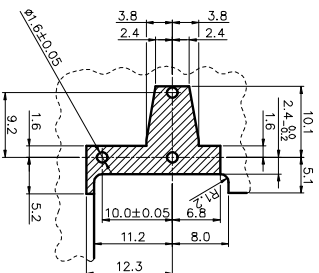


| 精度等级/General Tolerances(mm) | | 尺寸范围 | | | | | | | | | | 公差 | | |
|---|----|------|-----|-----|-----|-----|-----|------|------|------|------|------|------|----------|
| 0 | >3 | >6 | >10 | >18 | >30 | >50 | >80 | >120 | >180 | >250 | >315 | >400 | >500 | 0.1/1/10 |
| 3 | 6 | 10 | 18 | 30 | 50 | 80 | 120 | 180 | 250 | 315 | 400 | 500 | >500 | ±Z |
| ±0.12 ±0.18 ±0.22 ±0.26 ±0.31 ±0.37 ±0.57 ±0.80 ±0.93 ±1.05 ±1.15 ±1.60 ±2.20 ±2.50 | | | | | | | | | | | | | | ±Z |



PCB LAYOUT



| ITEM | NAME OF PART | MATERIAL | NOTES |
|------|--------------|--------------|--------------|
| 1 | Housing | PA66 | UL94V-0 |
| 2 | Cage | Copper alloy | M3/Ni Plated |
| 3 | Screw | Steel | M3/Zn Plated |
| 4 | Pin header-1 | Copper | Sn Plated |
| 5 | Pin header-2 | Copper | Sn Plated |
| 6 | Pin header-3 | Copper | Sn Plated |

| | | | |
|--|---------------|--------|---------|
| UL 标准/UL Standard: | B | C | D |
| 额定电压/电流/Rated Voltage(V)/Current(A) | 300/20 | 300/20 | 600/5 |
| IEC 标准/IEC Standard: | | | |
| 过压类别/Overvoltage Category/符类等级 | III/3 | III/2 | II/2 |
| 级/Pollution Degree | | | |
| 额定电压/电流/Rated Voltage(V)/Current(A) | 600/24 | 630/24 | 1000/24 |
| 额定脉冲电压(KV)/Rate Impulse Voltage(KV) | 6.0 | 6.0 | 6.0 |
| 螺丝扭矩/Torque Tightening(N·m/Lb.in) | M3, 0.6/5.32 | | |
| 线径范围(硬线和软线)/Wire Range(rigid and flexible)(mm ² /AWG) | 0.2~2.5/30~12 | | |
| 剥线长度/Stripping length(mm) | 8 | | |
| 使用温度范围/Operating temperature(°C) | -40~+105 | | |
| 符合RoHS环保要求/Conform to RoHS | Yes | | |

MATERIAL: / SURFACE: /

MAT NO.: /

STATUS: /

APPD: LanChH 2020.05.19 NAME: **DEGSON® NINGBO DEGSON ELECTRICAL CO., LTD**

CHKD: YJZ 2020.05.19 **DG636RF-7.5-03P-1Y-00A(H)**

DRT: Kevin 2017.10.20 DRAWING NO.: DG636RF-7.5-C01

TYPE: CUSTOMER DRAWING SCALE: 2:1 SHEET 1/1

REV EGN DESCRIPTION DRT DATE

D

C

B

A

D

C

B

A