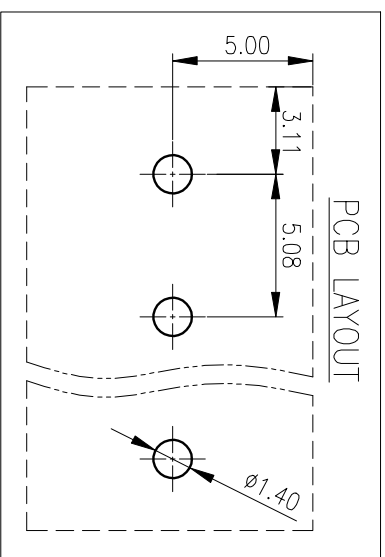
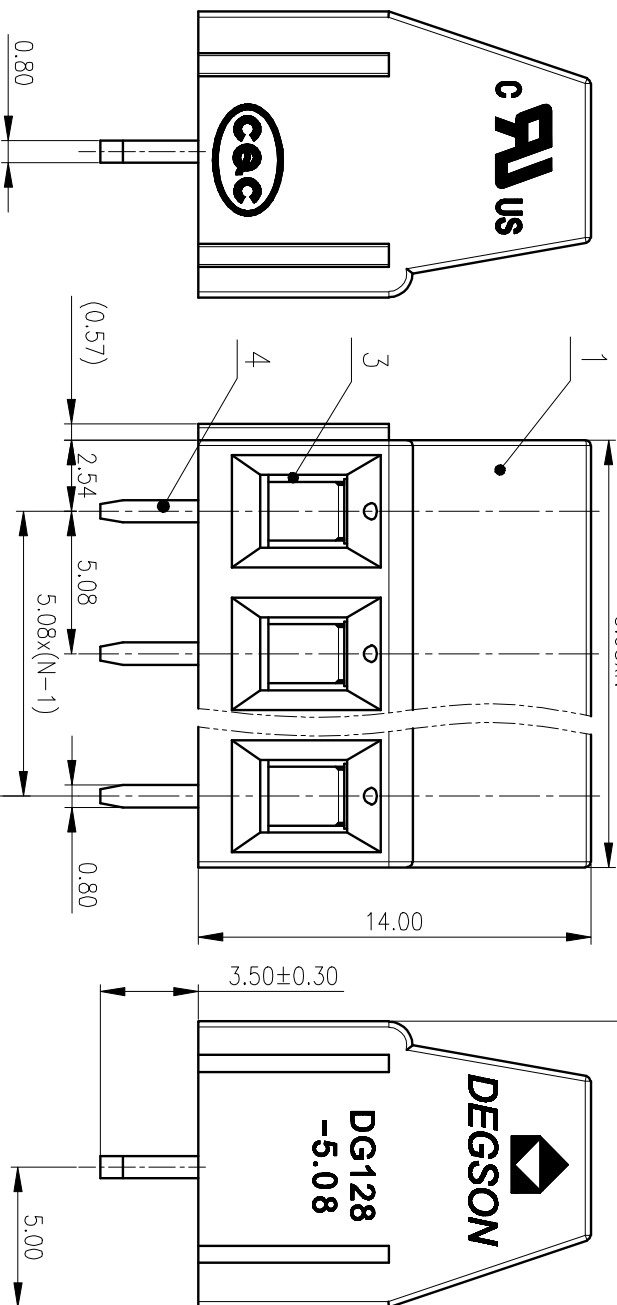
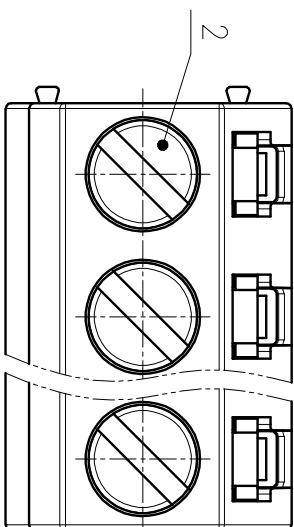


尺寸/公差 (mm)	0	>3	>6	>10	>18	>30	>50	>80	>120	>180	>250	>315	>400	>500	0.1/10
±0.12	±0.18	±0.22	±0.26	±0.31	±0.37	±0.57	±0.80	±0.93	±1.05	±1.15	±1.60	±2.20	±2.50		±Z



4	Pin Header	Copper Alloy	Sn Plated
3	Cage	Copper Alloy	M3/Ni Plated
2	Screw	Steel	M3/7n Plated
1	Housing	PA66	UL94V-0
ITEM	NAME OF PART	MATERIAL	NOTES
UL 标准/UL Standard:	B	C	D
额定电压/电涌/Rated Voltage(V)/Current(A)	300/20	/	300/10
IEC 标准/IEC Standard:			
过压类别/Overvoltage Category/污染等级	III/3	III/2	II/2
额定电压/电涌/Rated Voltage(V)/Current(A)	250/18	400/18	630/18
额定脉冲电压(kV)/Rate Impulse Voltage(kV)	4	4	4
额定扭矩/扭矩 Tightening(N·m/Lbin)	M3, 0.5/4.43		
线径范围(硬线和软线)/Wire Range(rigid and flexible)(mm²/AWG)	0.2~2.5/30~12		
间距/Pitch(mm)/线数范围/Poles	5.08/N=02~24P		
剥线长度/Stripping length(mm)	6~7		
使用温度范围/Operating temperature(°C)	-40~+105		
符合RoHS标准/Conform to RoHS	Yes		

DEGSON 宁波高松电子有限公司
NINGBO DEGSON ELECTRICAL CO., LTD

NAME: **DC128-5.08-XXP-1Y-1000A(H)**

MATERIAL: /
MAT NO.: /
STATUS: /
APPD: LiGL 2020.06.11
CHKD: Mek 2020.06.11

DRAWING NO.: DC128-5.08-C01

TYPE: CUSTOMER DRAWING

SCALE: 4:1

SIZE: A4

DATE: / /

DRFT: LuoXM 2020.06.11

REV T0 1/1

DRFT

ECN

DESCRIPTION

REV

1 2 3 4 5 6

D

C

B

A

D

C

B

A